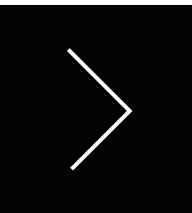




integra[®]

LED LIGHTING SYSTEMS





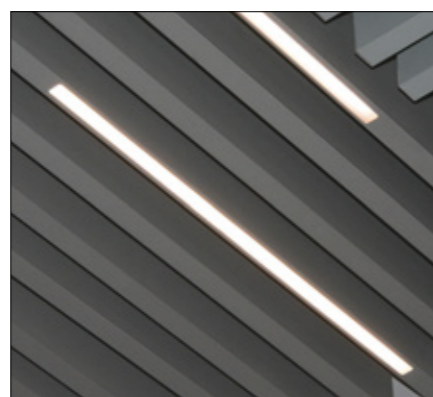
LED LIGHTING SYSTEMS

Integra Lumener LED Lighting Products are designed as a series that can be integrated into all metal, mineral fiber and wooden suspended ceiling systems, such as 600x600 mm tiles and others. With the integration of LED lighting into the suspended ceiling, the system offers monolithic appearance. Thus, it offers innovative and aesthetic solutions in architectural projects.

TABLE OF CONTENTS



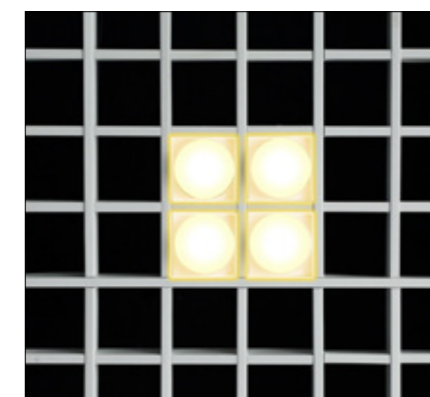
01
**WOODEN
BAFFLE LED**
PAGE
10 - 11



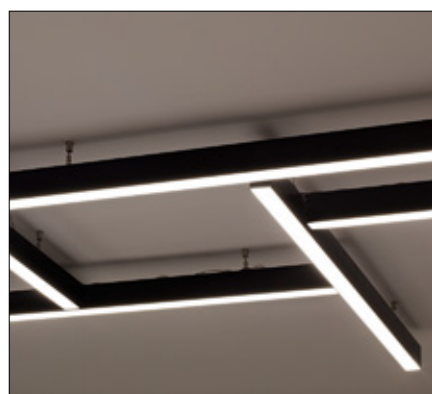
02
**METAL
BAFFLE LED**
PAGE
12 - 13



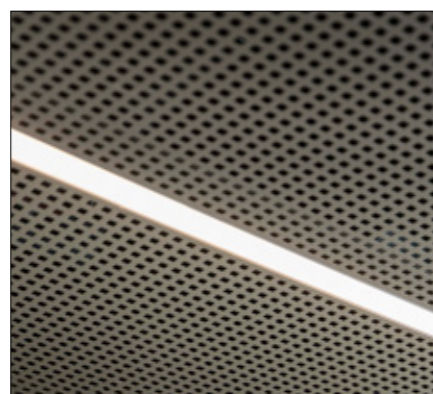
07
**EXPANDED
ZONE**
PAGE
22 - 23



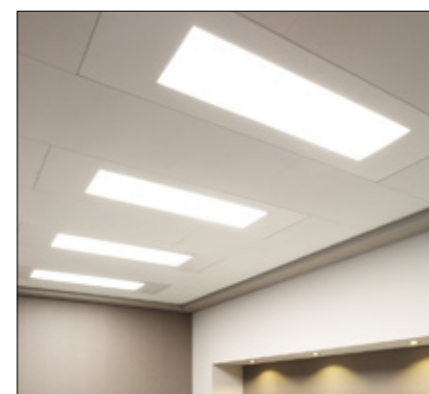
08
**OPEN
DOT**
PAGE
24 - 25



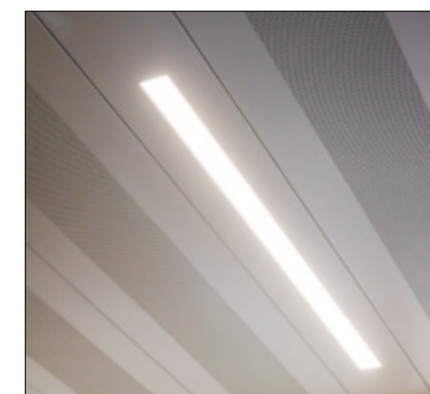
03
BOX LINE
PAGE
14 - 15



04
**HOOK-ON
LED**
PAGE
16 - 17



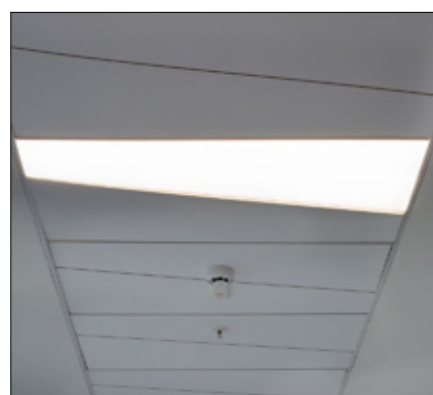
09
**PLANK
ZONE**
PAGE
26 - 27



10
**PLANK
LINE**
PAGE
28 - 29



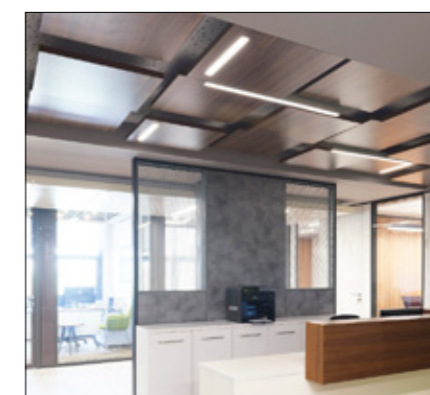
05
T24 LED
PAGE
18 - 19



06
INSOLITA
PAGE
20 - 21



11
**WOOD
ZONE**
PAGE
30 - 31

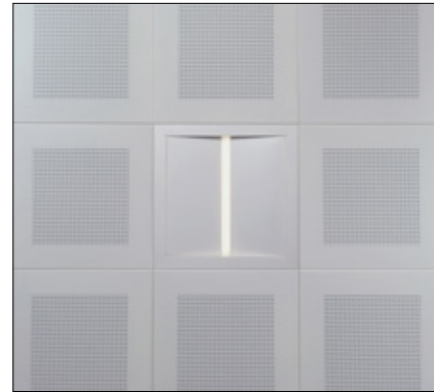


12
**WOOD
LINE**
PAGE
32 - 33

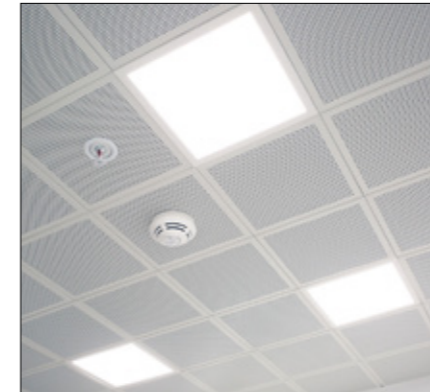
TABLE OF CONTENTS



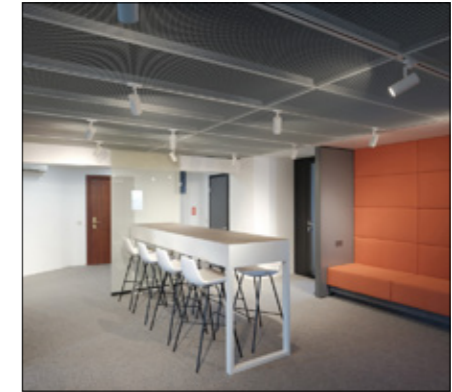
13
**CUSTOM
DESIGN**
PAGE
34 - 39



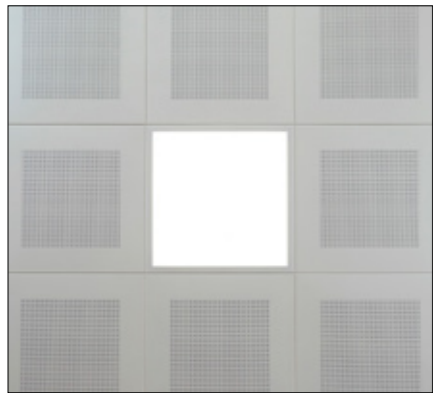
14
INLINE
PAGE
40 - 41



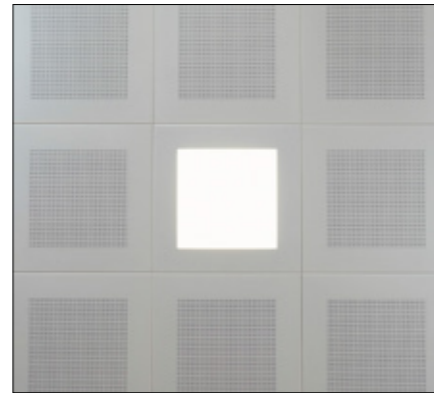
19
**GLADIS
ZONE
30x30**
PAGE
50 - 51



20
TRACKSPOT
PAGE
52 - 53



15
**TILE ZONE
54S**
PAGE
41 - 43



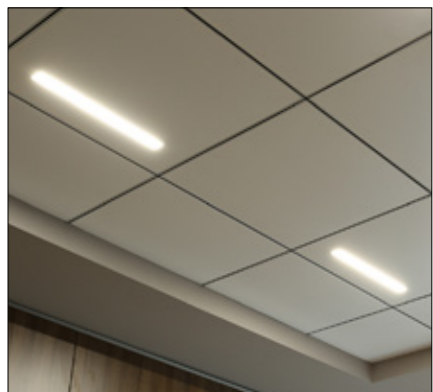
16
**TILE ZONE
40S**
PAGE
44 - 45



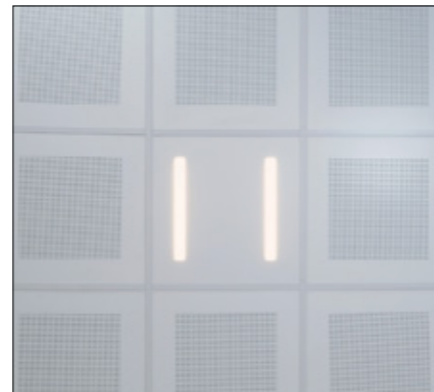
21
DOWNLIGHT
PAGE
54 - 55



22
**INDUSTRIAL
LED**
PAGE
56 - 57



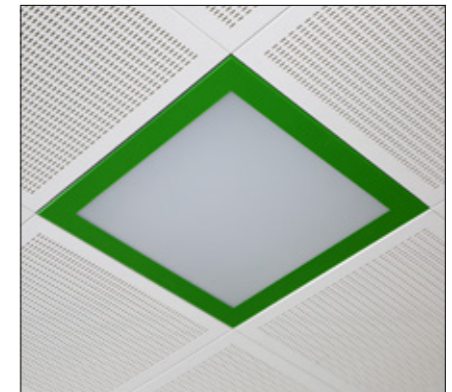
17
TILE LINE 1
PAGE
46 - 47



18
TILE LINE 2
PAGE
48 - 49



23
**EMERGENCY
LIGHT**
PAGE
58 - 59



24
**COLORS &
PERFORATION TYPES**
PAGE
60 - 63

01. WOODEN BAFFLE LED



PROJECT | GEN PHARMACY / ANKARA

WOODEN BAFFLE LED

Lumener Wooden Baffle LED is a luminaire model that is suitable for all types of wooden ceilings. Since the luminaire is integrated into the ceiling, no additional lighting is needed. It can be applied in various lengths and positions, therefore presenting pleasing visuals. It is the ideal solution for linear and curved baffle ceilings.



PROJECT | BILNET SCHOOLS / ANKARA

SPECIFICATIONS

Luminous Flux	900 lm - 1800 lm
Colour Temperature	3000 K - 3500 K - 4000 K - 5000 K - 6500 K
Power	13 W - 26 W
Material	Aluminium Profile
Control	On/Off - 1-10V - DALI
Emergency Kit	Optional
Dimensions	500 mm / 1000 mm

02. METAL BAFFLE LED



METAL BAFFLE LED

Lumener Metal Baffle LED is a luminaire model suitable for all types of metal ceilings. Since the luminaire is integrated into the ceiling, no additional lighting is needed. It can be applied in various lengths and positions, therefore presenting pleasing visuals. The luminaire can be customised to satisfy various power needs and baffle dimensions.



PROJECT | EKOL OFFICE / ISTANBUL

SPECIFICATIONS

Luminous Flux	900 lm - 1800 lm
Colour Temperature	3000 K - 3500 K - 4000 K - 5000 K - 6500 K
Power	13 W - 26 W
Material	Aluminium Profile
Control	On/Off - 1-10V - DALI
Emergency Kit	Optional
Dimensions	500 mm / 1000 mm

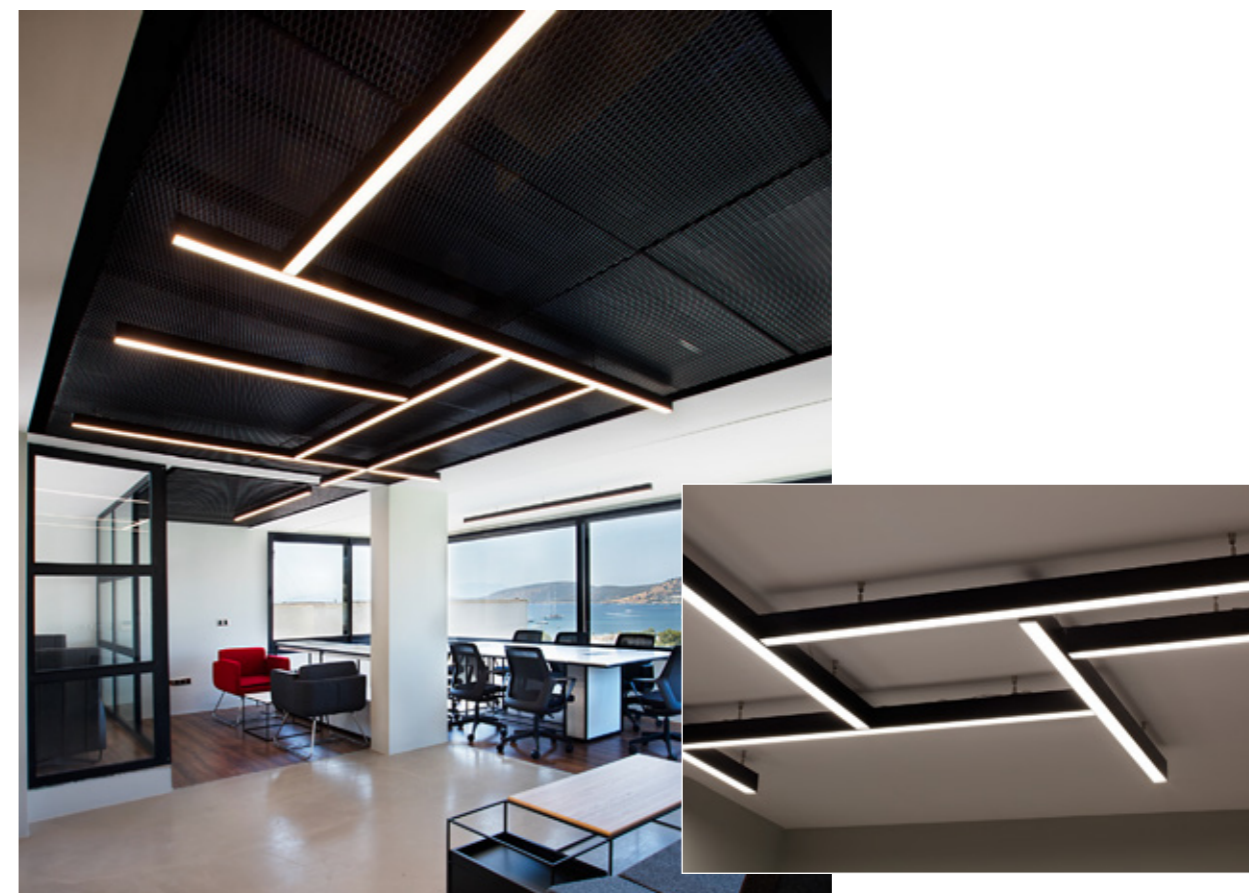
03. BOX LINE



PROJECT | GELECEK COLLEGE / MERSIN

BOX LINE

Lumener Boxline LED is a luminaire model suitable for all types of ceiling systems. It can be applied as pendant, recessed and surface mounted fixtures. Having a width of 40 mm, Boxline 40 can be produced in any length up to 2400 mm, and the aluminium body can be painted in any desired colour. This luminaire series is widely preferred in offices, shopping centres, hospitals and hotels.



PROJECT | BODRUM İMMO OFFICE/ MUĞLA

SPECIFICATIONS

Luminous Flux	1000 lm/m - 2000 lm/m - 3000 lm/m
Kelvin	3000 K - 3500 K - 4000 K - 5000 K - 6500 K
Power	10 W/m - 20 W/m - 30 W/m
Material	Aluminium Profile
Control	On/Off - 1-10V - DALI
Emergency Kit	Optional
Dimensions Special sizes can be produced depending on the request.	500 mm / 1000 mm / 1200 mm 1800 mm / 2000 mm / 2400 mm

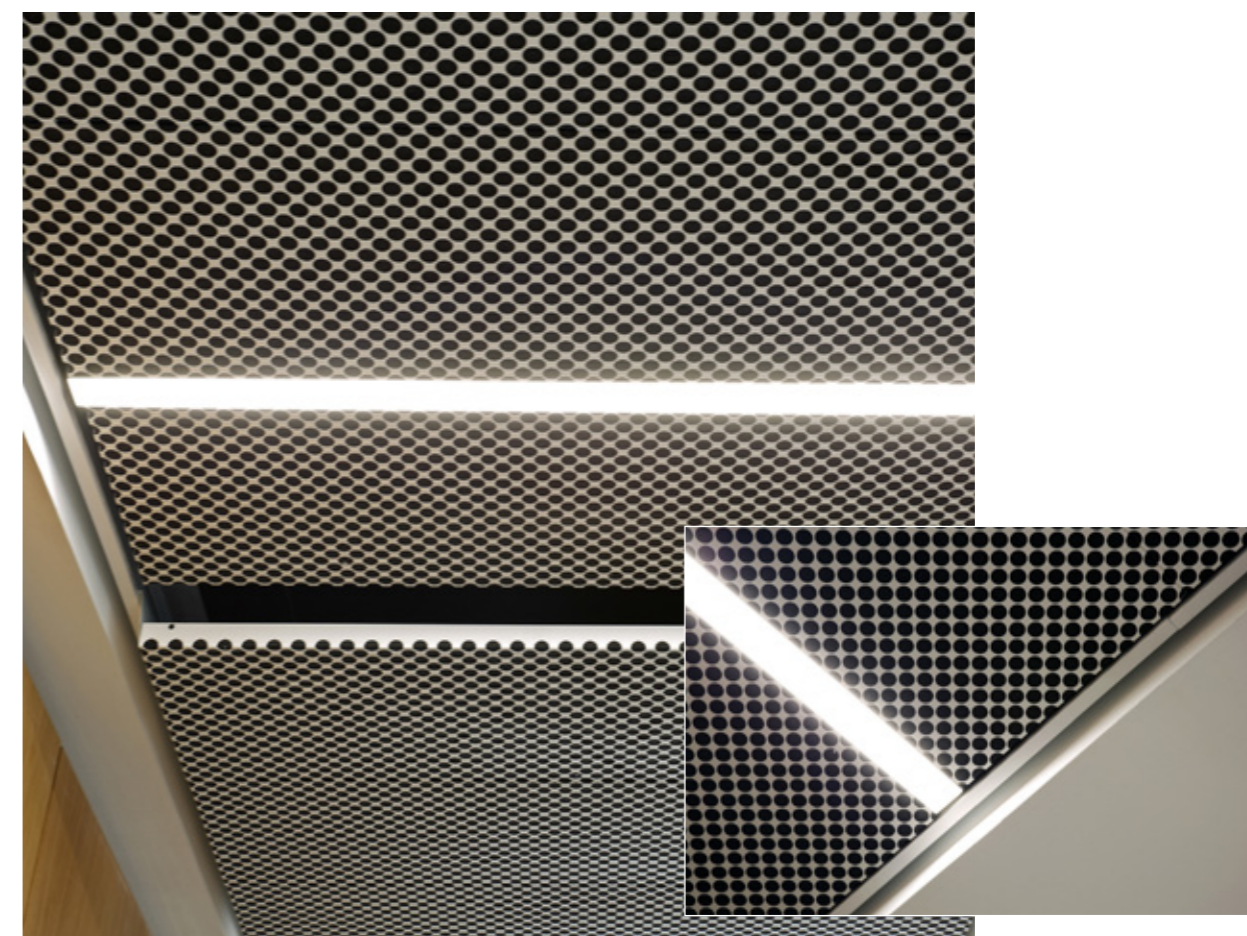
04. HOOK ON LED



PROJECT | VADI İSTANBUL / ISTANBUL

HOOK ON LED

Lumener Hook on LED is a luminaire model suitable for all types of metal ceiling panels using hook on systems. Having a width of 40 mm, Hook On LED can be produced in any length up to 2400 mm, and the aluminium body can be painted in any desired colour. This luminaire series is widely preferred in offices, shopping centres, hospitals and hotels. This solution is especially preferred for projects using expanded metal ceilings. It can be produced in various power and lumen values in order to satisfy the needs of the environment.



SPECIFICATIONS

Luminous Flux	1000 lm/m - 2000 lm/m - 3000 lm/m
Colour Temperature	3000 K - 3500 K - 4000 K - 5000 K - 6500 K
Power	10 W/m - 20 W/m - 30 W/m
Material	Aluminium Profile
Control	On/Off - 1-10V - DALI
Emergency Kit	Optional
Dimensions	500 mm / 1000 mm / 1200 mm 1800 mm / 2000 mm / 2400 mm
Special sizes can be produced depending on the request.	

05. T24 LED



T24 LED

Lumener T24 LED is a luminaire model suitable for all types of mineral fibre and metal ceilings suspended by T24 systems. Since the luminaire is integrated into the suspension system, no additional lighting is needed. It can be produced in dimensions of 600 mm and 1200 mm, therefore providing numerous design options.



SPECIFICATIONS

Luminous Flux	1300 lm / 2600 lm
Colour Temperature	3000 K - 3500 K - 4000 K - 5000 K - 6500 K
Power	14 W / 28 W
Material	Aluminium Profile
Control	On/Off - 1-10V - DALI
Emergency Kit	Optional
Dimensions	600 mm / 1200 mm

06. INSOLITA



PROJECT | KUNT OFFICE / ISTANBUL

INSOLITA

Lumener Insolita is a luminaire model suitable for all types of mineral fibre and metal ceilings. Having the same design as the trapezoidal ceiling tiles, Insolita can be produced in various power and lumen values in order to satisfy the needs of the environment.



SPECIFICATIONS

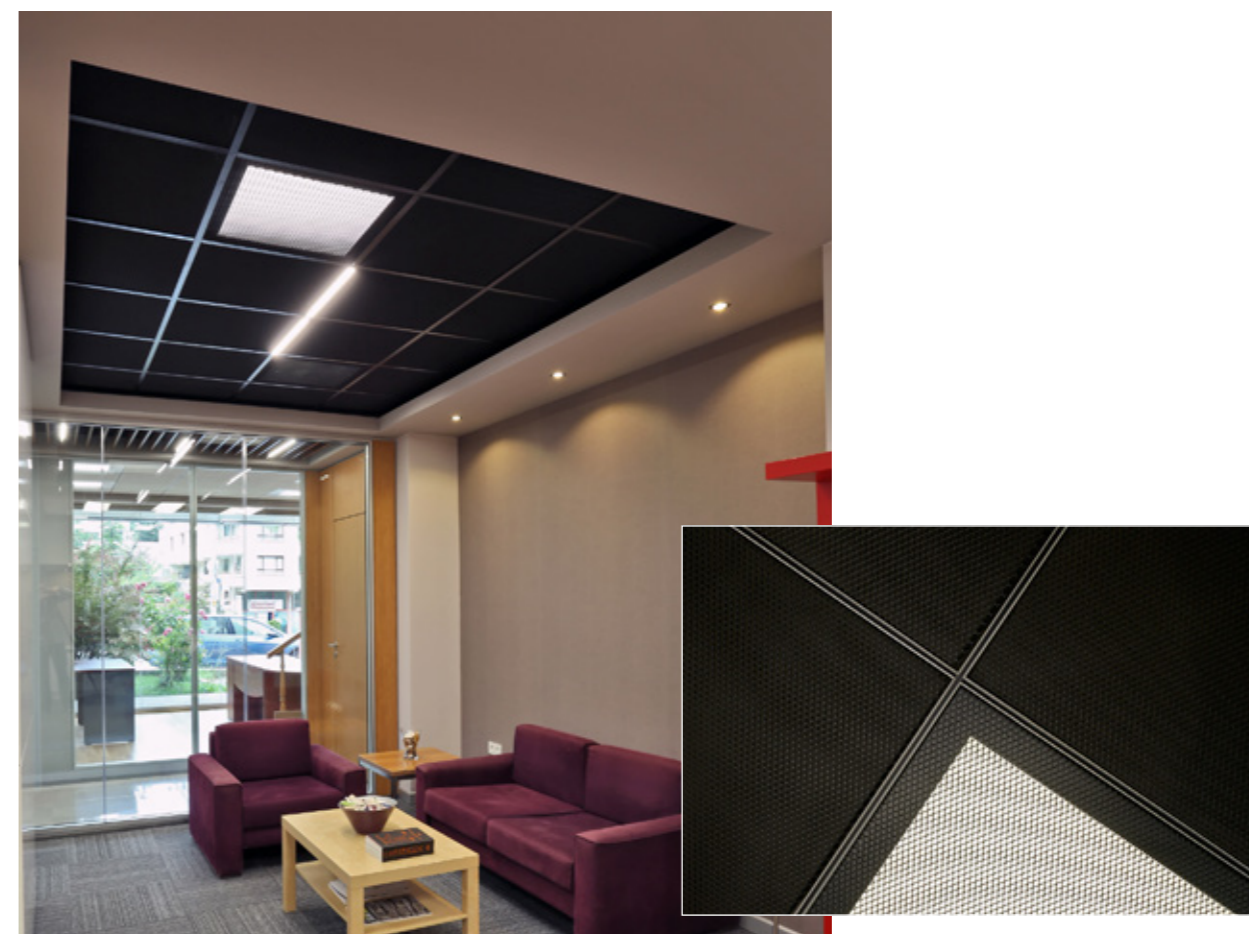
Luminous Flux	3000 lm - 4000 lm - 5000 lm
Colour Temperature	3000 K - 3500 K - 4000 K - 5000 K - 6500 K
Power	30 W - 40 W - 50 W
Material	Galvanized Steel
Control	On/Off - 1-10V - DALI
Emergency Kit	Optional
Dimensions	Custom Production

07. EXPANDED ZONE



EXPANDED ZONE

Lumener Expanded Zone is a luminaire model suitable for all types of expanded metal ceiling systems. Since it is integrated into the ceiling tile, the luminaire does not interfere with the aesthetics when it is powered off. The luminaire which is suitable for all types of suspension systems, can be produced in dimensions of 300x600 mm, 300x1200 mm, 300x1500 mm, 600x600 mm, 600x1200 mm ve 600x1500 mm.



SPECIFICATIONS

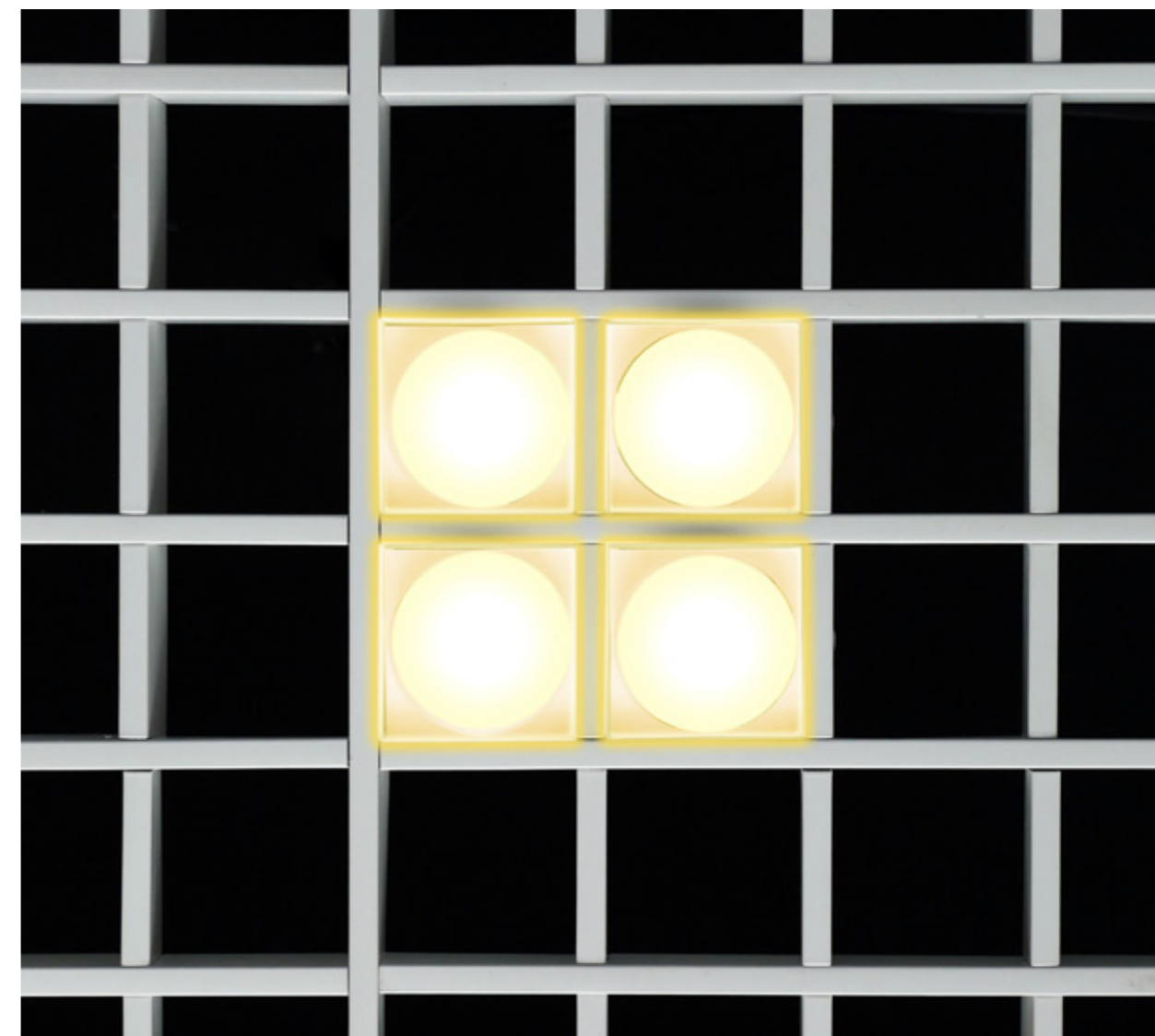
Luminous Flux	1500 lm - 2250 lm - 3000 lm - 3750 lm
Colour Temperature	3000 K - 3500 K - 4000 K - 5000 K - 6500 K
Power	20 W - 30 W - 40 W - 50 W
Material	Galvanized Steel or Aluminium
Control	On/Off - 1-10V - DALI
Emergency Kit	Optional
Dimensions	300x600 mm / 300x1200 mm / 300x1500 mm 600x600 mm / 600x1200 mm / 600x1500 mm

08. OPEN DOT



OPEN DOT

Lumener Open Dot is a luminaire model suitable for all types of opencell metal ceiling systems. It can be produced in various dimensions in order to suit cell spacings. This modular luminaire can be applied anywhere in any quantity.



SPECIFICATIONS

Luminous Flux	740 lm - 850 lm
Colour Temperature	3000 K - 6500 K
Power	7 W - 9 W
Control	On / Off
Dimensions They can be produced in custom sizes according to panel dimensions.	50x50 mm / 75x75 mm / 100x100 mm / 150x150 mm

09. PLANK ZONE



PLANK ZONE

Lumener Plank Zone is a luminaire model suitable for all types of metal and mineral fibre ceiling systems. It can be produced in any sizes depending on tile dimensions. It offers a monolithic view as the lighting system can be integrated into the customised metal ceiling. The steel body can be painted in any desired colour. Being suitable for all types of suspension systems, it can be produced with perforation options.



SPECIFICATIONS

Luminous Flux	2000 lm - 3000 lm - 4000 lm - 5000 lm
Kelvin	3000 K - 3500 K - 4000 K - 5000 K - 6500 K
Power	20 W - 30 W - 40 W - 50 W
Material	Galvanized Steel
Control	On/Off - 1-10V - DALI
Emergency Kit	Optional
Dimensions	Optional

10. PLANK LINE



PROJECT | AKO PETLAS / ANKARA

PLANK LINE

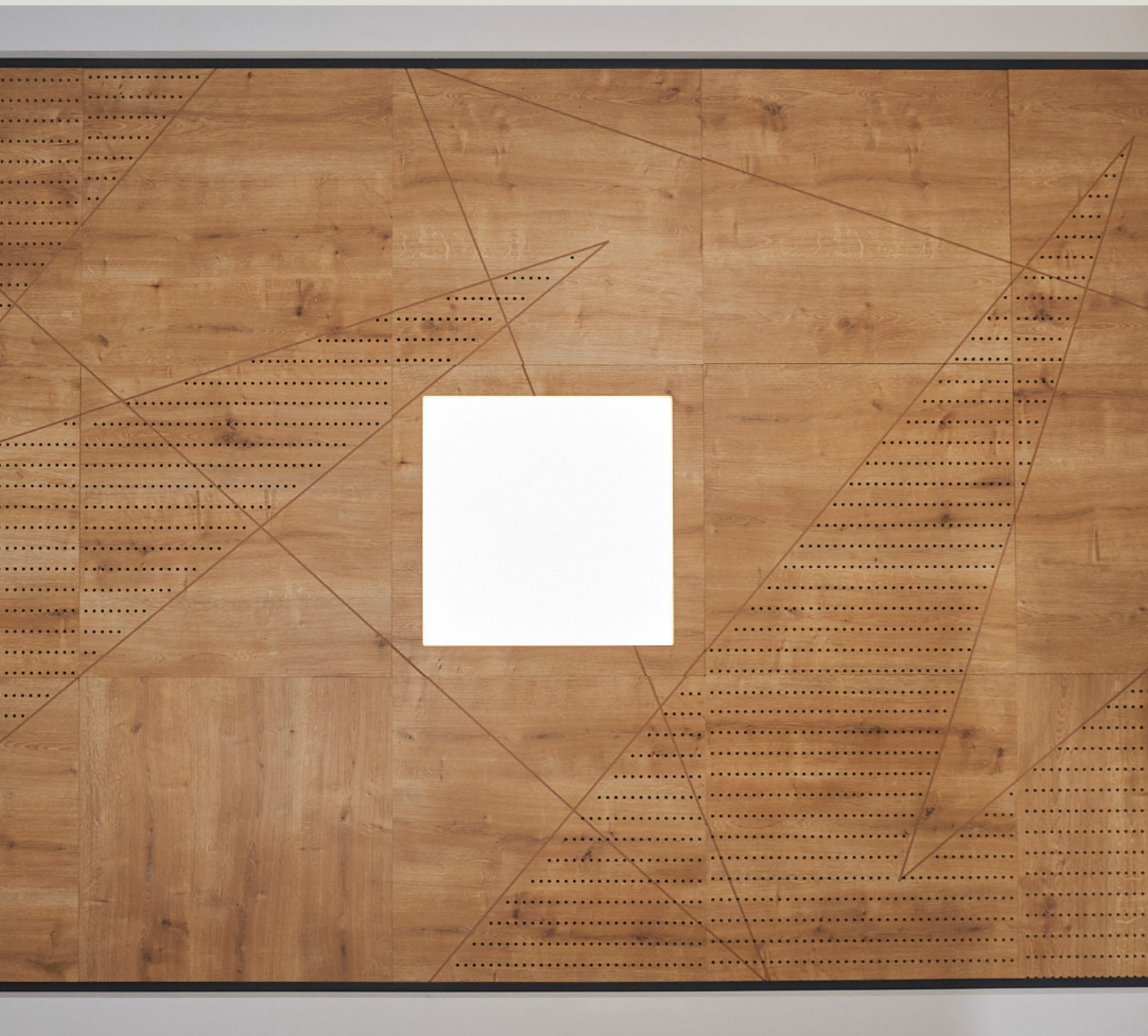
Lumener Plank Line is a luminaire model suitable for all types of metal ceiling systems. Having a width of 40 mm, it can be produced in any length depending on tile dimensions. It is integrated into the ceiling system, and the aluminium body can be painted in any desired colour. The luminaire, which is suitable for all types of suspension systems, can be produced with the desired perforation option.



SPECIFICATIONS

Luminous Flux	2000 lm - 2500 lm - 3000 lm
Kelvin	3000 K - 3500 K - 4000 K - 5000 K - 6500 K
Power	20 W - 25 W - 30 W
Material	Galvanized Steel or Aluminium
Control	On/Off - 1-10V - DALI
Emergency Kit	Optional
Dimensions	300x600 mm / 600x600 mm 300x1200 mm / 600x1200 mm

11. WOOD ZONE



WOOD ZONE

Lumener Wood Zone is a luminaire model suitable for wood ceiling systems having dimensions of 300x600 mm, 300x1200 mm, 600x600 mm and 600x1200 mm. Since it is integrated into the ceiling, it provides seamless visual. It can be produced in perforated or non-perforated options with various power and lumen values in order to satisfy the needs of the environment.



SPECIFICATIONS

Luminous Flux	1500 lm - 3000 lm - 4000 lm
Colour Temperature	3000 K - 3500 K - 4000 K - 5000 K - 6500 K
Power	15 W - 30 W - 40 W
Material	Wooden
Control	On/Off - 1-10V - DALI
Emergency Kit	İsteğe Bağlı Optional
Dimensions	300x600 mm / 600x600 mm 300x1200 mm / 600x1200 mm

12. WOOD LINE



WOOD LINE

Lumener Wood Line is a luminaire model suitable for all types of wood ceiling systems. It is integrated into the wood ceiling system. It offers a monolithic view to as the lightning system can be integrated into the customised wooden ceiling.



SPECIFICATIONS

Luminous Flux	1500 lm - 2500 lm - 3000 lm - 4000 lm
Color Temperature	3000 K - 3500 K - 4000 K - 5000 K - 6500 K
Power	15 W - 25 W - 30 W - 40 W
Material	Wooden + Aluminium
Control	On/Off - 1-10V - DALI
Emergency Kit	Optional
Dimensions	300x600 mm / 600x600 mm 300x1200 mm / 600x1200 mm

13. CUSTOM DESIGN



PROJECT | BİLİŞİM VADİSİ / KOCAELİ | INTERIOR DESIGN | OSO ARCHITECTURE & INTERIOR DESIGN

CUSTOM DESIGN

LED lightning and ceiling systems are offered as package that fits with designer's works.





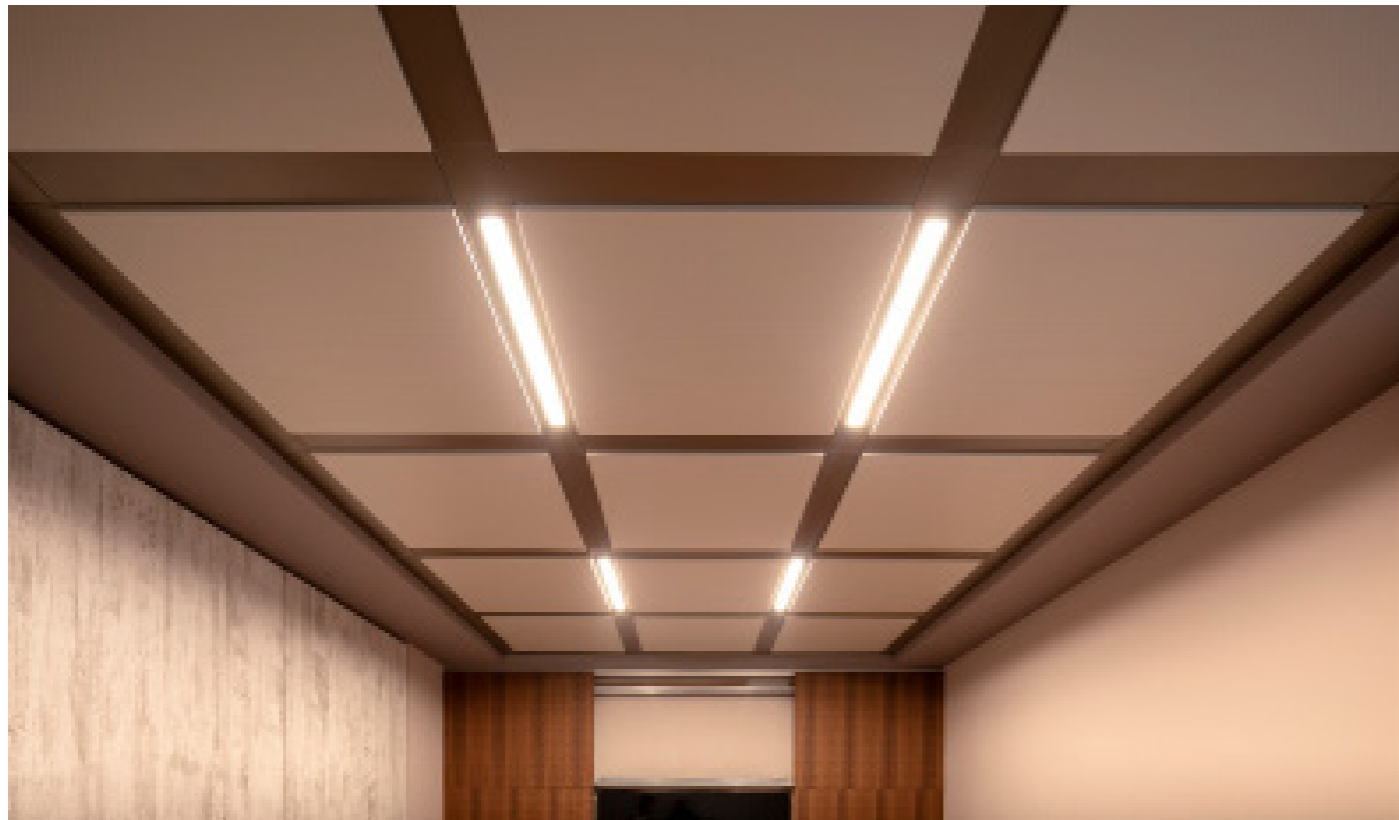
PROJECT | BİLİŞİM VADİSİ / KOCAELİ
INTERIOR DESIGN | OSO ARCHITECTURE & INTERIOR DESIGN



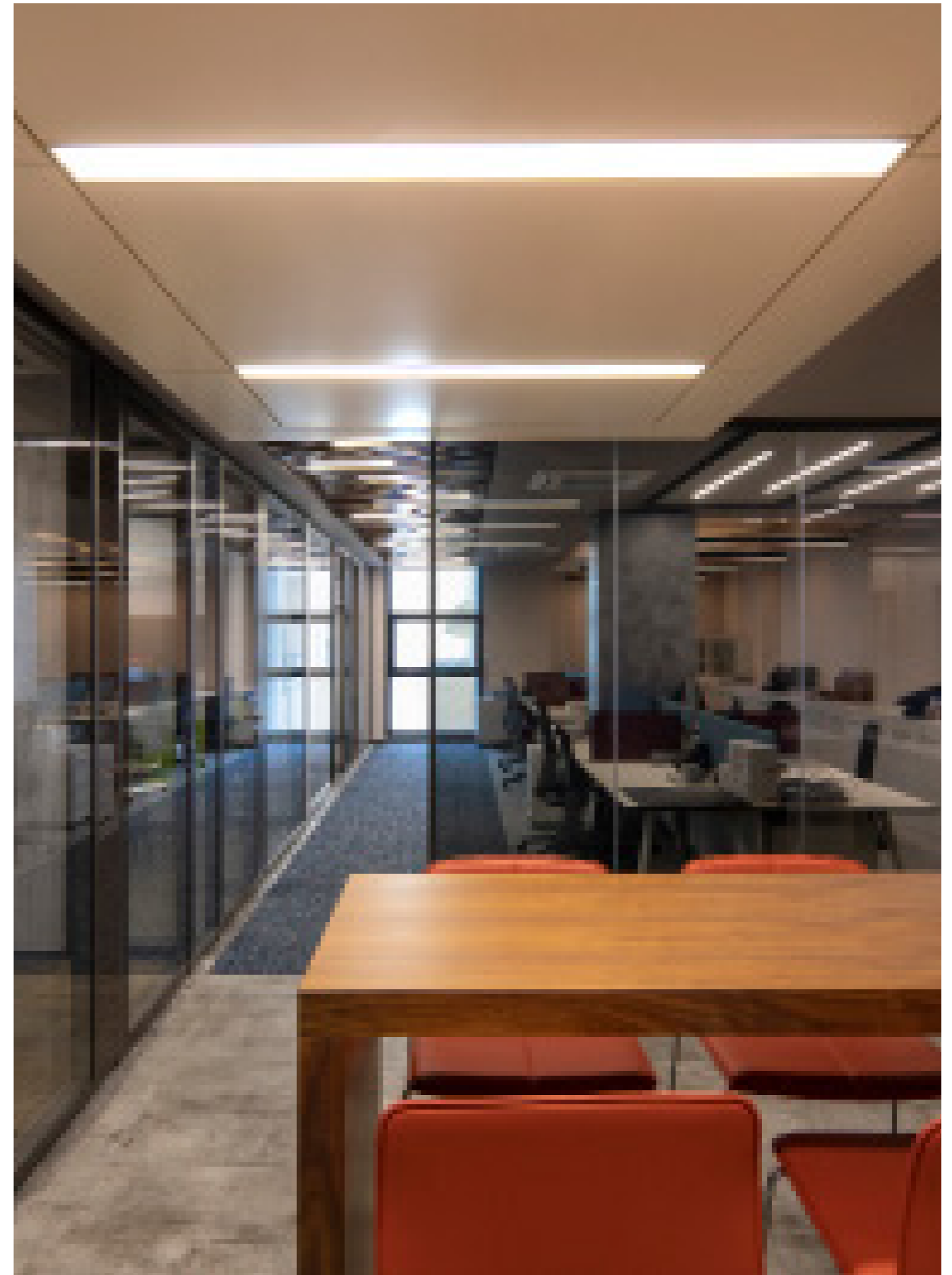
PROJECT | BİLİŞİM VADİSİ / KOCAELİ
INTERIOR DESIGN | OSO ARCHITECTURE & INTERIOR DESIGN



PROJECT | BİLİŞİM VADİSİ / KOCAELİ
INTERIOR DESIGN | OSO ARCHITECTURE & INTERIOR DESIGN

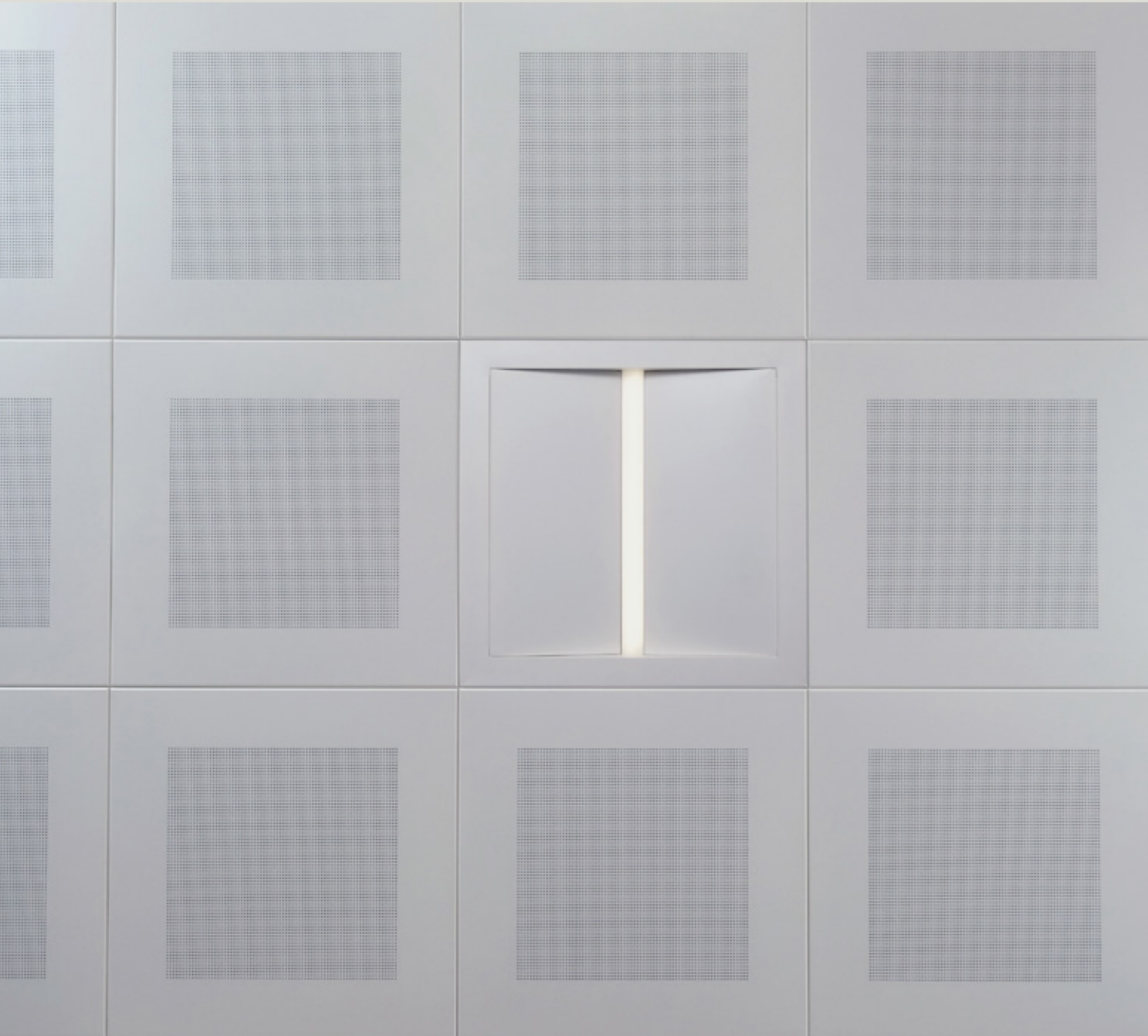


PROJECT | ASPEN OFFICE / ANKARA



PROJECT | ASPEN OFFICE / ANKARA

14. INLINE



INLINE

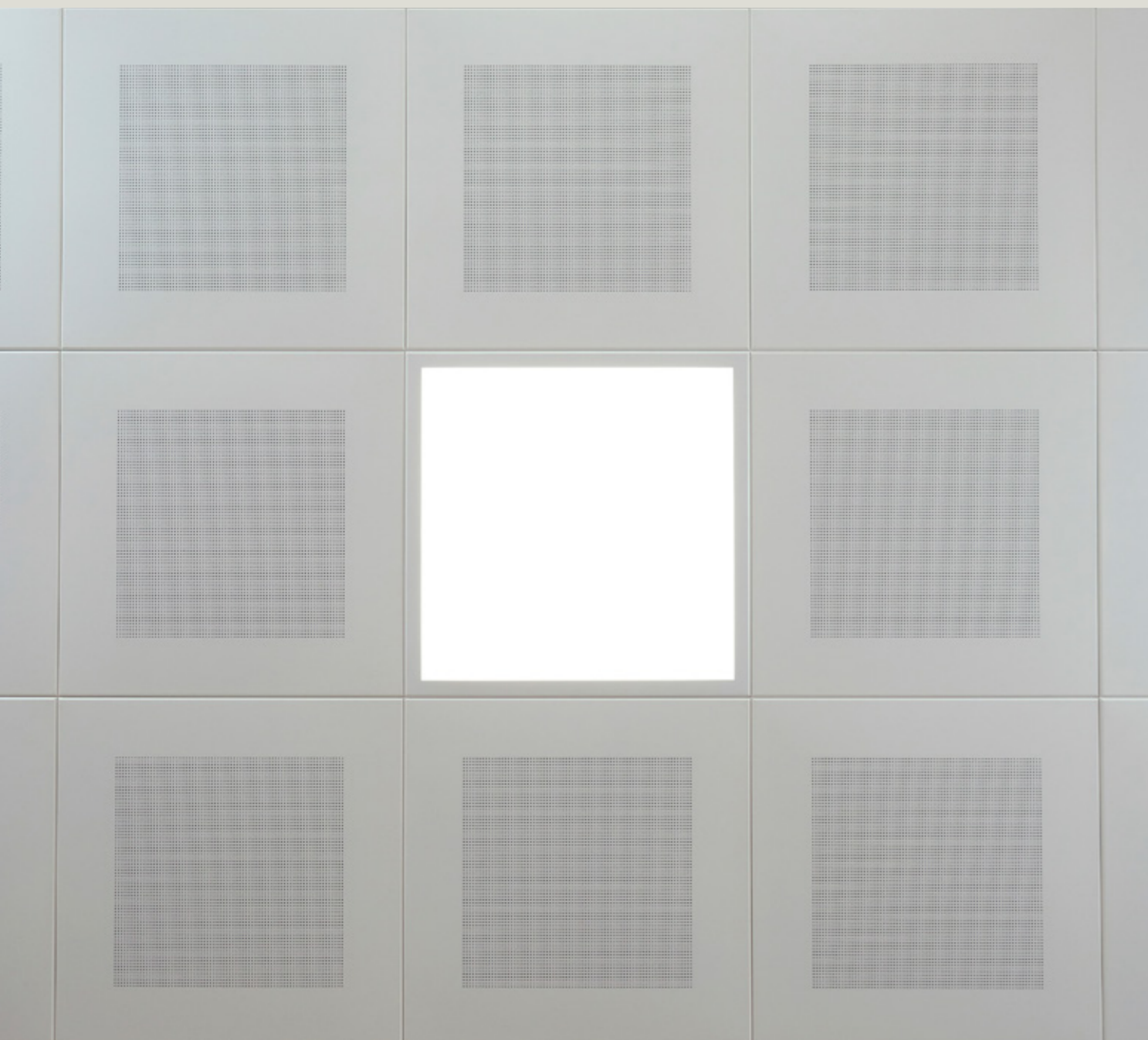
Lumener Inline is a luminaire model suitable for all types of metal and mineral fibre ceilings with any suspension system. It can be produced in dimensions of 600x600 mm, 600x1200 mm and 300x1200 mm. Compared to other standard solutions, the 3D design distinctively contributes to the overall aesthetics. The luminaire body can be painted in any desired colour. It can be produced in various power and lumen values in order to satisfy the needs of the environment.



SPECIFICATIONS

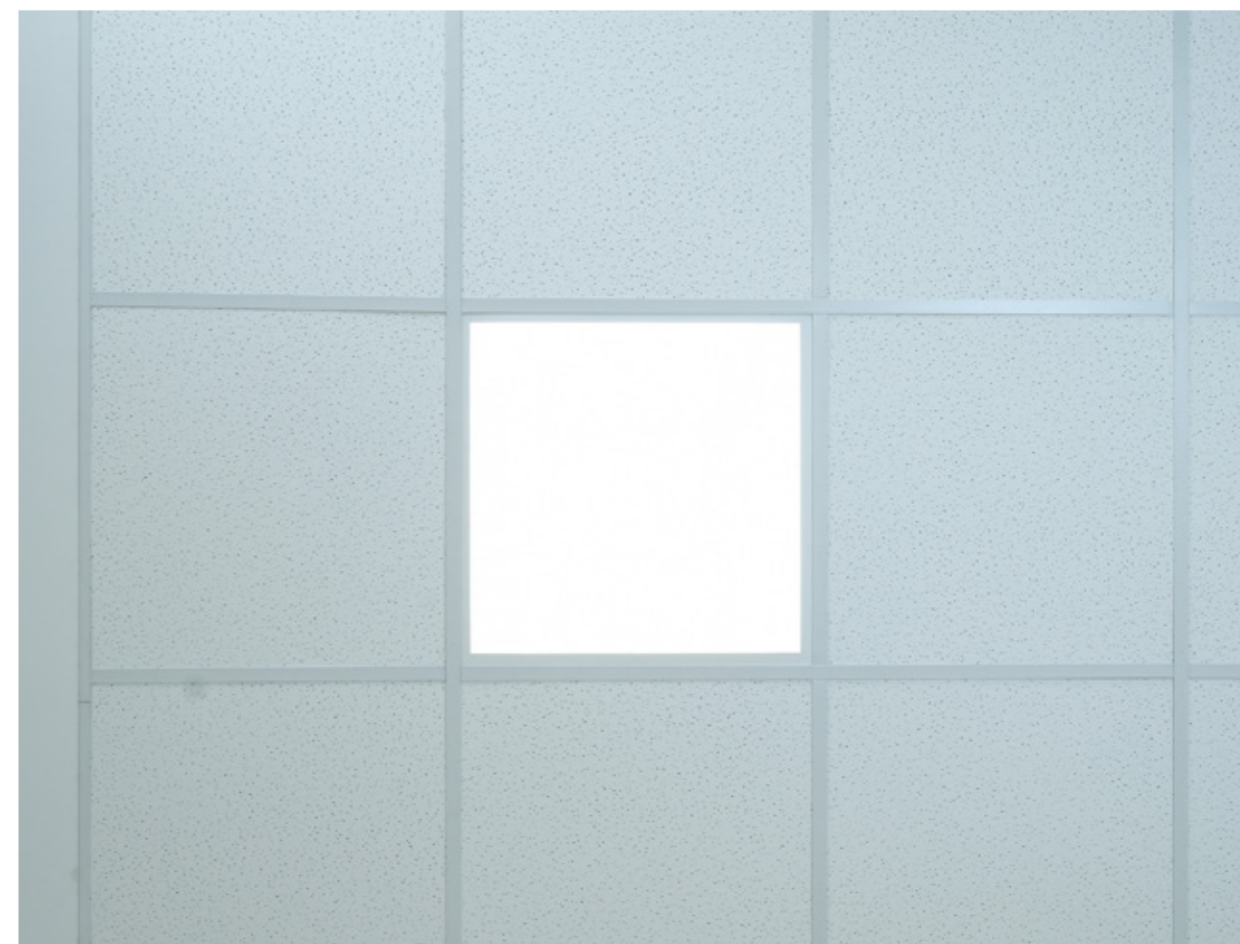
Luminous Flux	2800 lm
Kelvin	3000 K - 3500 K - 4000 K - 5000 K - 6500 K
Power	29 W
Material	Galvanized Steel or Aluminium
Control	On/Off - 1-10V - DALI
Emergency Kit	Optional
Dimensions	600x600 mm / 300x1200 mm / 600x1200 mm

15. TILE ZONE 54S



TILE ZONE 54S

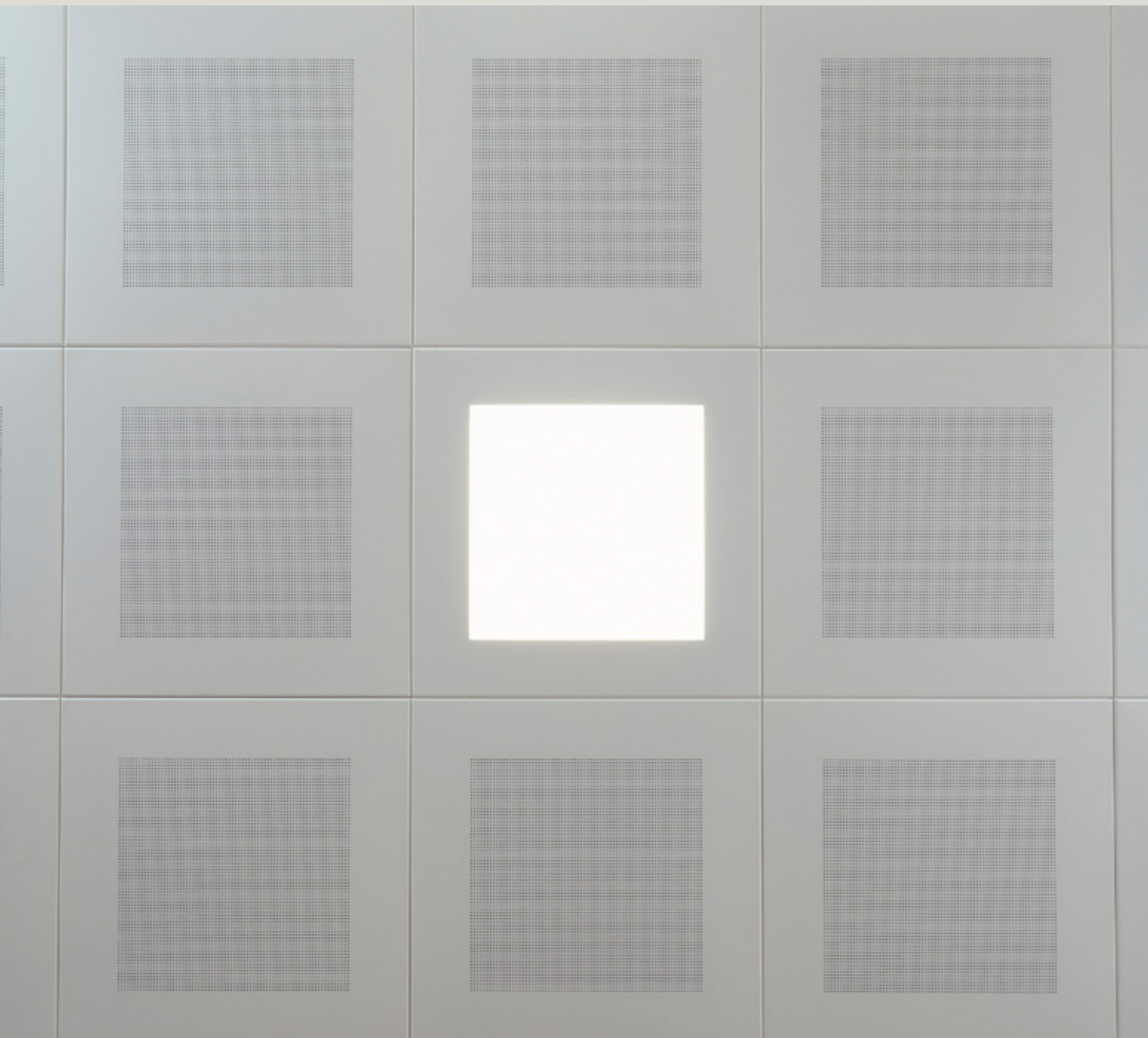
Lumener Tile Zone 54S is a luminaire model suitable for all 600x600 mm metal and mineral fibre ceilings with any suspension system. Its body can be painted in any desired colour. It can be produced in surface mounted or recessed models. This luminaire series is widely preferred in schools, offices, shopping centres, hospitals and factories. It can be produced in various power and lumen values in order to satisfy the needs of the environment.



SPECIFICATIONS

Luminous Flux	3000 lm
Kelvin	3000 K - 3500 K - 4000 K - 5000 K - 6500 K
Power	30 W
Material	Galvanized Steel
Control	On/Off - 1-10V - DALI
Emergency Kit	Optional
Dimensions	600x600 mm

16. TILE ZONE 40S



TILE ZONE 40S

Lumener Tile Zone 40S is a luminaire model suitable for all types of 600x600 mm metal and mineral fibre ceilings with any suspension system. The galvanized steel body can be painted in any desired colour. Surface mounted and recessed models are available. Since the luminaire has a frame thickness of 100 mm, it fits seamlessly into metal tiles having a 100 mm border. This luminaire series is widely preferred in schools, offices, shopping centres, hospitals and factories. It can be produced in various power and lumen values in order to satisfy the needs of the environment.



SPECIFICATIONS

Luminous Flux	3000 lm
Kelvin	3000 K - 3500 K - 4000 K - 5000 K - 6500 K
Power	30 W
Material	Galvanized Steel
Control	On/Off - 1-10V - DALI
Emergency Kit	Optional
Dimensions	600x600 mm

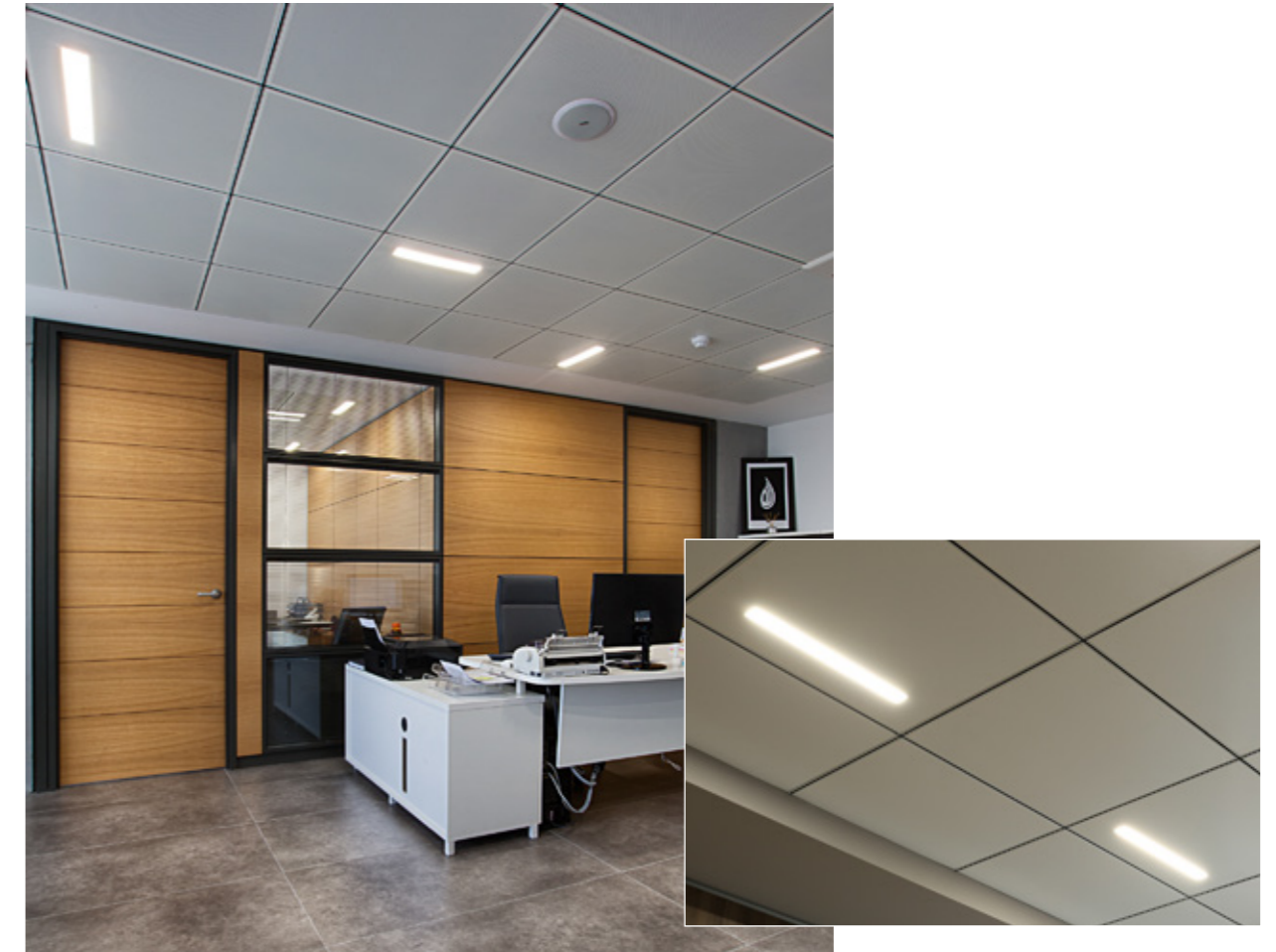
17. TILE LINE 1



PROJECT | ALPER ÇELİK HEADQUARTERS / KOCAELI

TILE LINE 1

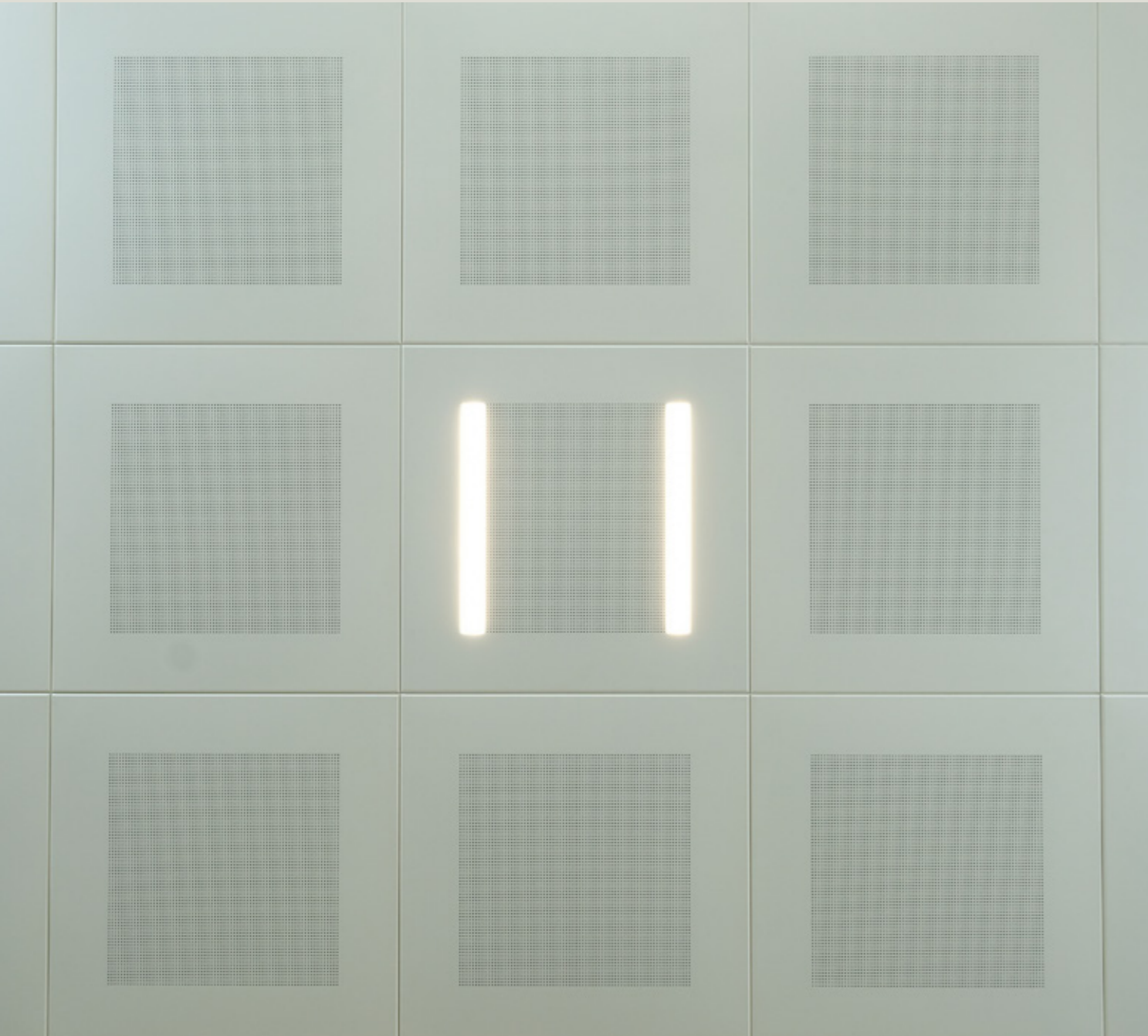
Lumener Tile Line 1 is a luminaire model suitable for all 600x600 metal and mineral fibre ceiling systems. Lighting fixtures can be arranged in different combinations in the ceiling. The luminaire body can be painted in any desired colour. It can be produced in various power and lumen values in order to satisfy the needs of the environment.



SPECIFICATIONS

Luminous Flux	2500 lm
Kelvin	3000 K - 3500 K - 4000 K - 5000 K - 6500 K
Power	25 W
Material	Galvanized Steel or Aluminium
Control	On/Off - 1-10V - DALI
Emergency Kit	Optional
Dimensions	600x600 mm

18. TILE LINE 2



TILE LINE 2

Lumener Tile Line 2 is a luminaire model suitable for all 600x600 metal and mineral fibre ceilings with any suspension system. Lighting fixtures can be arranged in different combinations in the ceiling. The luminaire body can be produced in any desired colour with the desired perforation option. It can be produced in various power and lumen values in order to satisfy the needs of the environment.



SPECIFICATIONS

Luminous Flux	2800 lm
Kelvin	3000 K - 3500 K - 4000 K - 5000 K - 6500 K
Power	29 W
Material	Galvanized Steel or Aluminium
Control	On/Off - 1-10V - DALI
Emergency Kit	Optional
Dimensions	600x600 mm

19. GLADIS ZONE 30x30



GLADIS ZONE 30x30

Lumener Gladis Zone is a luminaire model suitable for all 300x300 mm and metal ceilings with any suspension system. The galvanized steel body can be painted in any desired colour. Surface mounted and recessed models can be produced with the desired perforation option. This luminaire series is widely preferred in schools, offices, shopping centres, hospitals and factories. The luminaire can be produced in various power and lumen values in order to satisfy the needs of the environment.



SPECIFICATIONS

Luminous Flux	2000 lm
Kelvin	3000 K - 3500 K - 4000 K - 5000 K - 6500 K
Power	20 W
Material	Galvanized Steel
Control	On/Off - 1-10V - DALI
Emergency Kit	Optional
Dimensions	300x300 mm

20. TRACK SPOT



TRACK SPOT

Lumener Track Spot is a luminaire model suitable for all types of metal ceiling systems. The tracks for the spots are integrated into the ceiling. The luminaire which can be produced in various types and dimensions, are widely preferred in showrooms and galleries. The luminaire can be produced in various power and lumen values in order to satisfy the needs of the environment.



SPECIFICATIONS

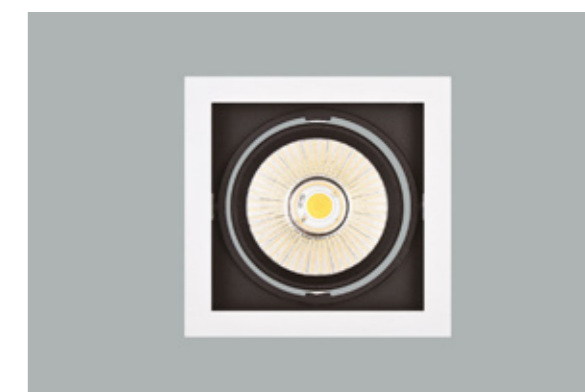
Luminous Flux	1500 lm - 2000 lm - 2500 lm - 3000 lm - 3500 lm - 4000 lm
Colour Temperature	3000 K - 3500 K - 4000 K - 5000 K - 6500 K
Power	15 W - 20 W - 25 W - 30 W - 35 W - 40 W
Material	Aluminium
Control	On/Off - 1-10V - DALI
Emergency Kit	Optional
Dimensions	Ø104 mm / Ø115 mm / Ø144 mm

21. DOWNLIGHT



DOWNLIGHT

Lumener Downlight is a luminaire model suitable for all metal ceiling systems. The aluminium body can be produced as a square or a circle, and in any desired colour. Surface mounted or recessed models are available. This luminaire series is widely preferred in schools, offices, shopping centres and hospitals. It can be produced in various power and lumen values in order to satisfy the needs of the environment.



SPECIFICATIONS

Luminous Flux	500 lm - 1000 lm - 1500 lm - 2000 lm - 2500 lm - 3000 lm
Kelvin	3000 K - 3500 K - 4000 K - 5000 K - 6500 K
Power	5 W - 10 W - 15 W - 20 W - 25 W - 30 W
Material	Aluminium
Control	On/Off - 1-10V - DALI
Emergency Kit	Optional
Dimensions	50 mm / 100 mm / 150 mm / 200 mm / 250 mm

22. INDUSTRIAL LED



INDUSTRIAL LED

Lumener Industrial LED is a luminaire model used for high - bay applications. Lengths for polycarbonate luminaires are 600mm, 1200mm and 1500mm; while lengths for aluminium luminaires are 350mm, 700mm, 1040mm. The luminaire, which is resistant to dust and water (IP65), are widely preferred in warehouses, car parks, factories, cold stores etc. The luminaire can be produced in various power and lumen values in order to satisfy the needs of the environment.



SPECIFICATIONS

Luminous Flux	2000 lm - 3000 lm - 4000 lm - 5000 lm - 6000 lm
Kelvin	3000 K - 3500 K - 4000 K - 5000 K - 6500 K
Power	20 W - 30 W - 40 W - 50 W - 60 W
Material	Polycarbonate or Aluminium
Control	On/Off - 1-10V - DALI
Emergency Kit	Optional
Dimensions	Polycarbonate: 600 mm / 1200 mm / 1500 mm Aluminium: 350 mm / 700 mm / 1040 mm

23. EMERGENCY LIGHT



PROJECT | İNCEK LOFT / ANKARA

EMERGENCY LIGHT

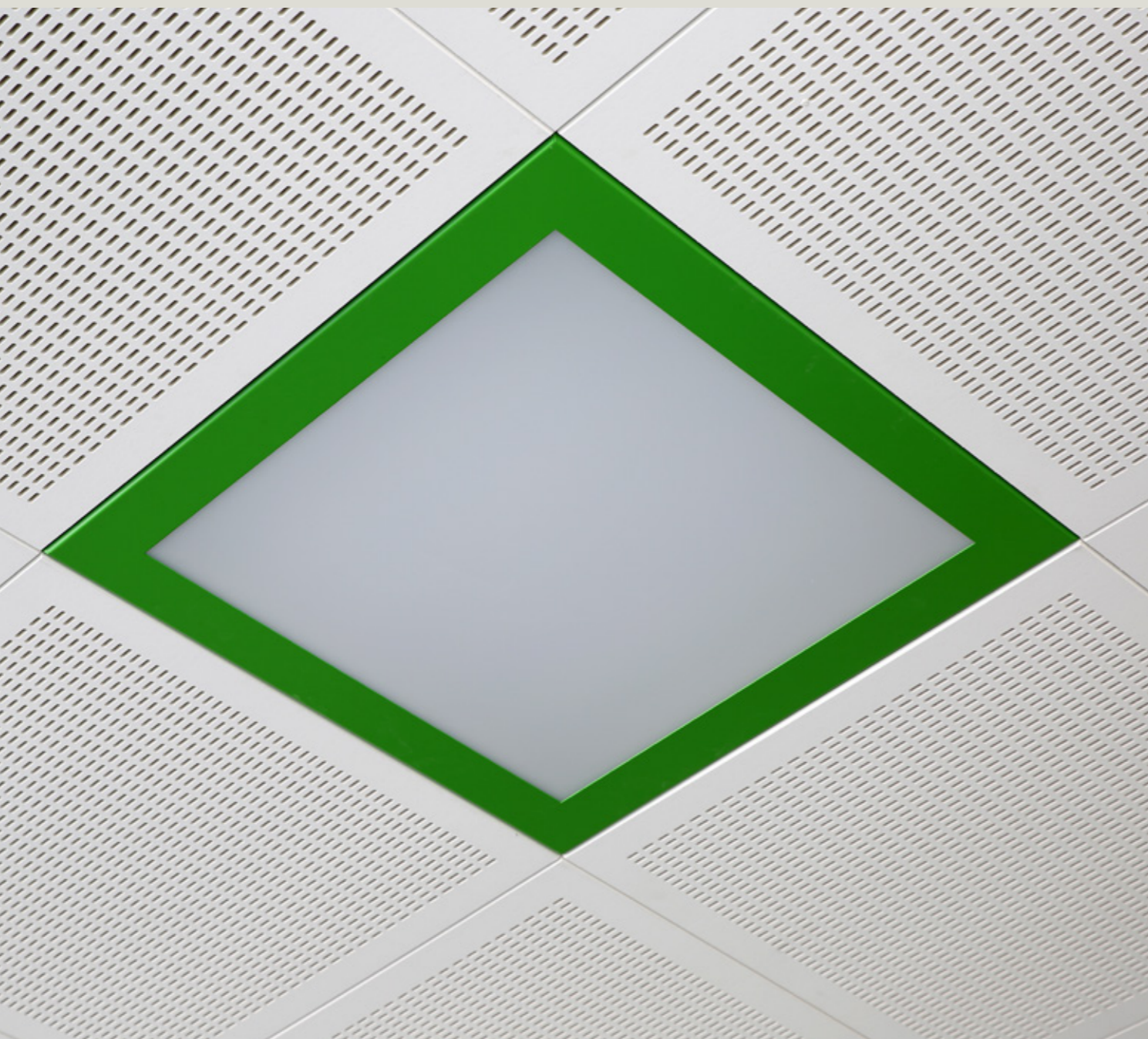
Lumener Emergency Lighting luminaires are used in the event of power outages in order to guide the people towards the exits. It can be used with any type of ceiling system. This luminaire is widely preferred in offices, hospitals, shopping centres, factories and hotels.



SPECIFICATIONS

Luminous Flux	300 lm - 500 lm - 1000 lm
Kelvin	6500 K
Power	5 W - 10 W - 20 W
Material	Polycarbonate or Galvanized Steel
Control	On/Off
Emergency Kit	1saat / 3 saat 1 hour / 3 hour

24. COLORS

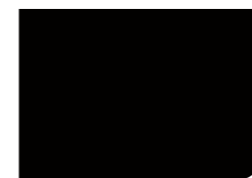


PROJE | DOĞA KOLEJİ / İSTANBUL
PROJECT | DOĞA COLLEGE / ISTANBUL

STANDARD METAL BODY COLORS

The Luminaire metal body colors can be chosen from RAL colorchart. An anti-bacterial paint option is also available for use in areas where hygiene is important

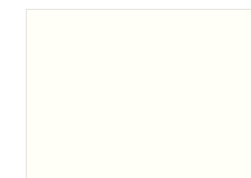
STANDART METAL BODY COLOURS



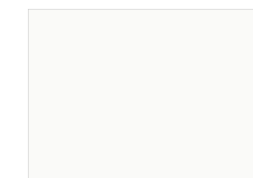
RAL 9005



RAL 9006
metallic



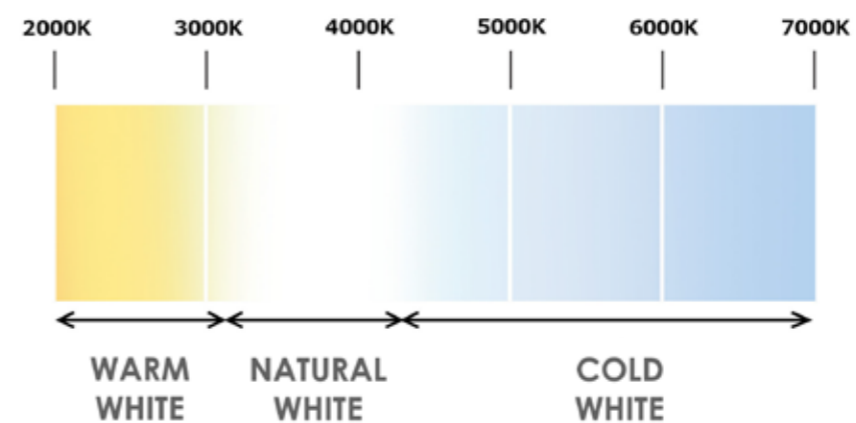
RAL 9010

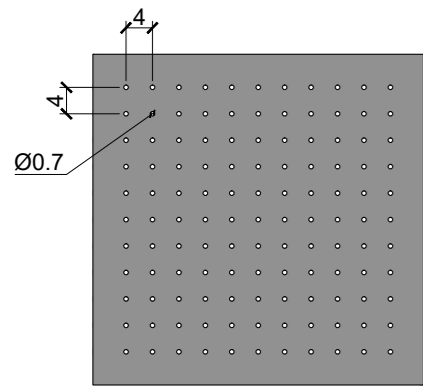


RAL 9016

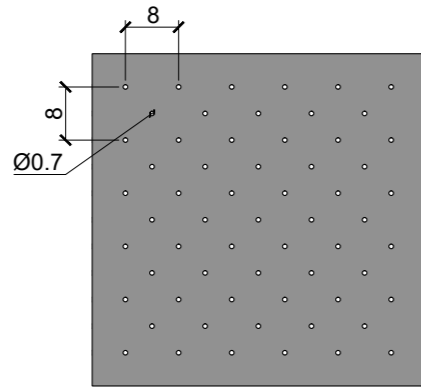
CORRELATED COLOR TEMPERATURE (CCT)

Any color can be chosen.

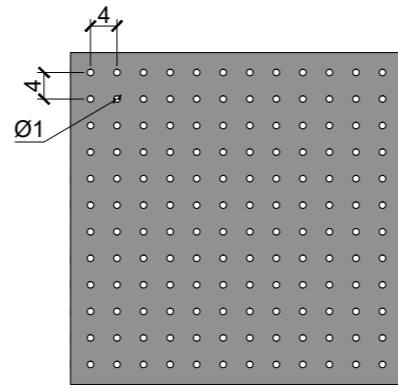




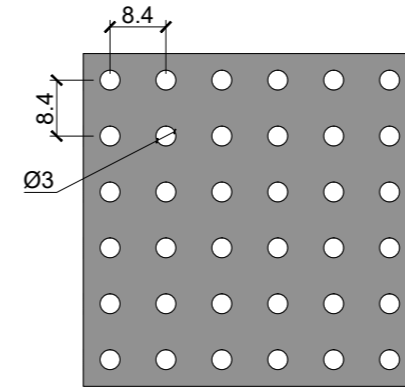
Perforasyon / Perforation
Boşluk Oranı / Open Area $\varnothing 0,7$ mm
%2,4



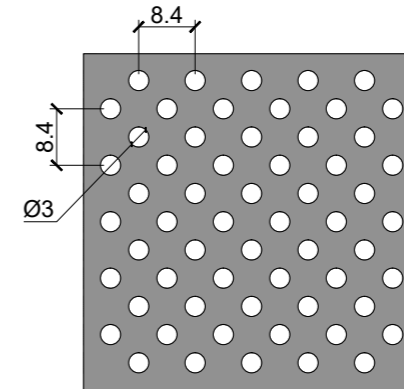
Perforasyon / Perforation
Boşluk Oranı / Open Area $\varnothing 0,7$ mm
%1,2



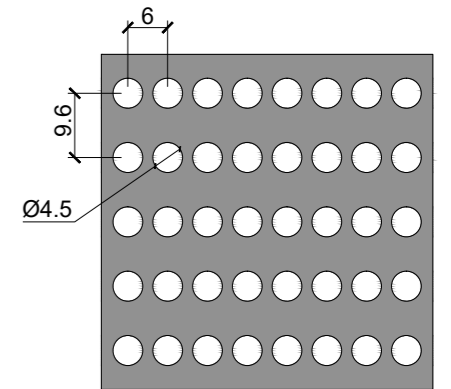
Perforasyon / Perforation
Boşluk Oranı / Open Area $\varnothing 1$ mm
%4,91



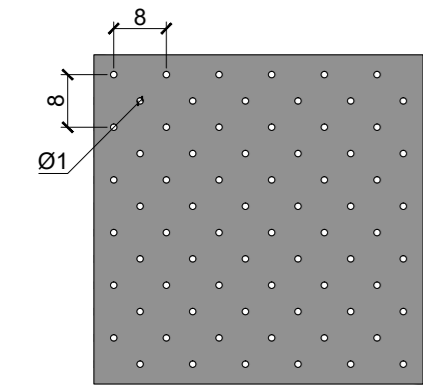
Perforasyon / Perforation
Boşluk Oranı / Open Area $\varnothing 3$ mm
%16,70



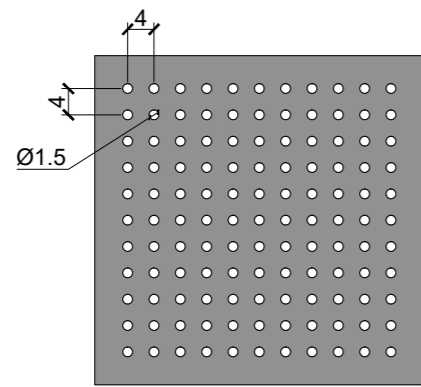
Perforasyon / Perforation
Boşluk Oranı / Open Area $\varnothing 3$ mm
%20



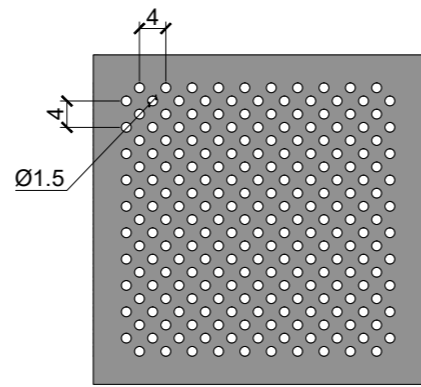
Perforasyon / Perforation
Boşluk Oranı / Open Area $\varnothing 4,5$ mm
%27,60



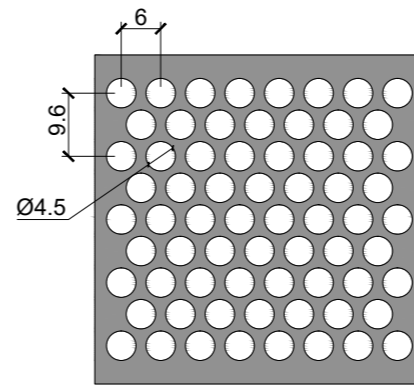
Perforasyon / Perforation
Boşluk Oranı / Open Area $\varnothing 1,5$ mm
%2,46



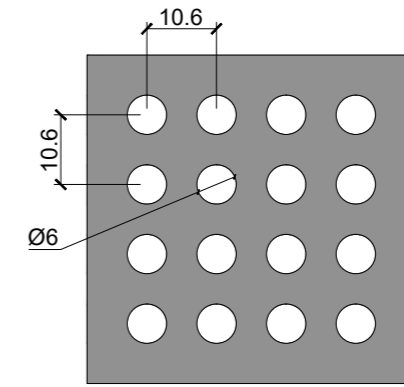
Perforasyon / Perforation
Boşluk Oranı / Open Area $\varnothing 1,5$ mm
%11



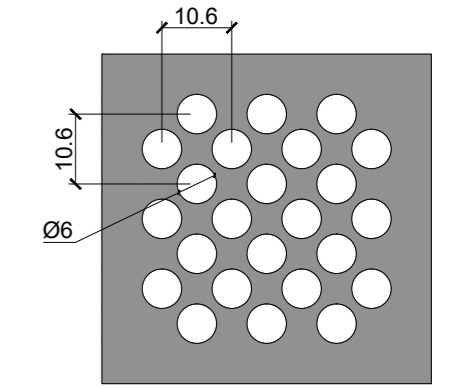
Perforasyon / Perforation
Boşluk Oranı / Open Area $\varnothing 1,5$ mm
%22



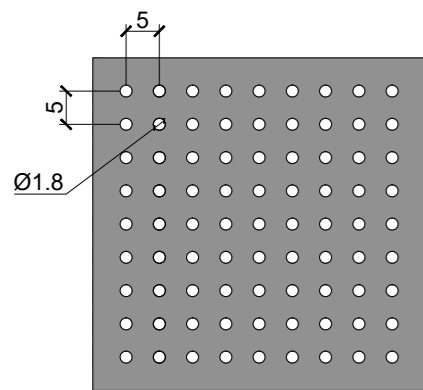
Perforasyon / Perforation
Boşluk Oranı / Open Area $\varnothing 4,5$ mm
%55,20



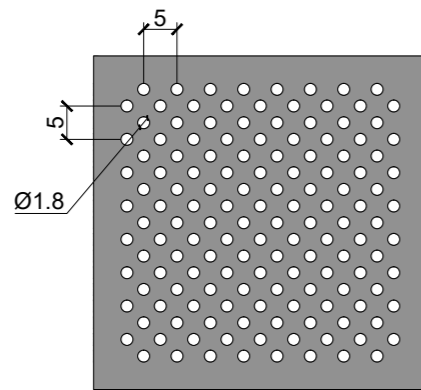
Perforasyon / Perforation
Boşluk Oranı / Open Area $\varnothing 6$ mm
%25,10



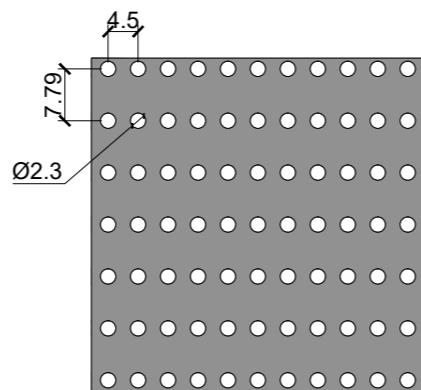
Perforasyon / Perforation
Boşluk Oranı / Open Area $\varnothing 6$ mm
%50,30



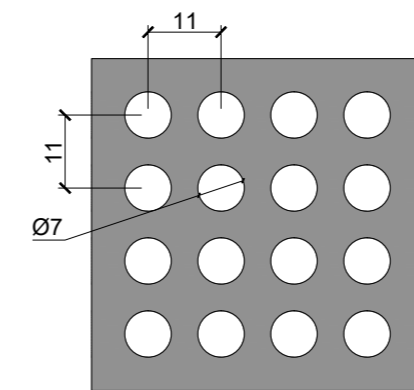
Perforasyon / Perforation
Boşluk Oranı / Open Area $\varnothing 1,8$ mm
%10,20



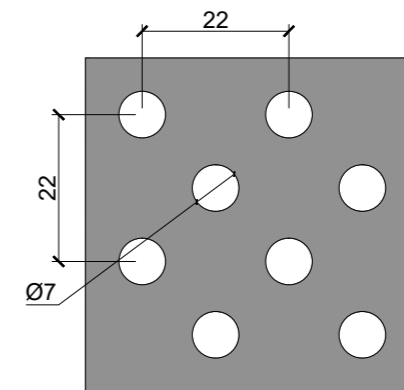
Perforasyon / Perforation
Boşluk Oranı / Open Area $\varnothing 1,8$ mm
%20,30



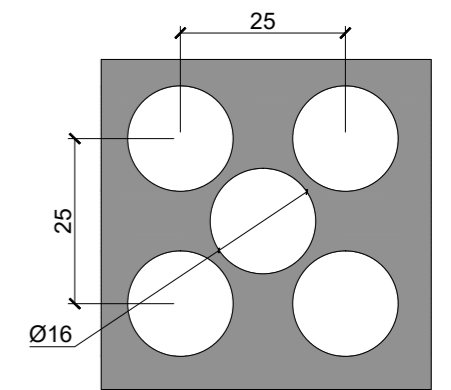
Perforasyon / Perforation
Boşluk Oranı / Open Area $\varnothing 2,3$ mm
%11,80



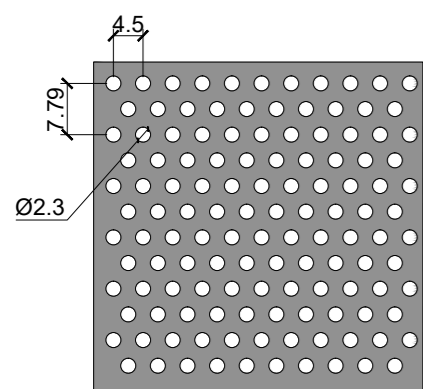
Perforasyon / Perforation
Boşluk Oranı / Open Area $\varnothing 7$ mm
%31,78



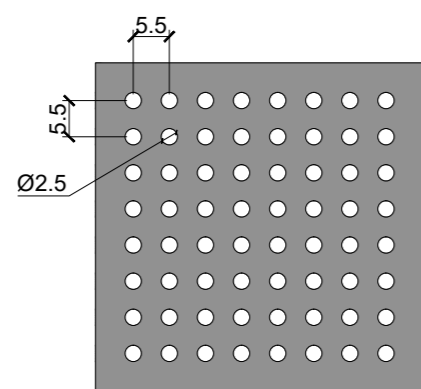
Perforasyon / Perforation
Boşluk Oranı / Open Area $\varnothing 7$ mm
%15,89



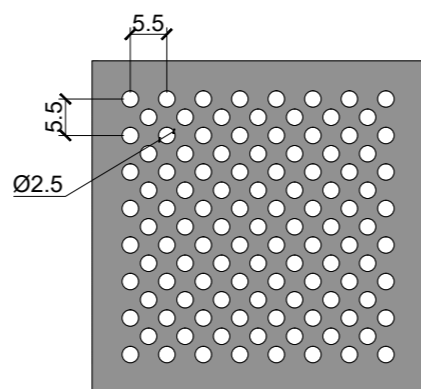
Perforasyon / Perforation
Boşluk Oranı / Open Area $\varnothing 16$ mm
%64,30



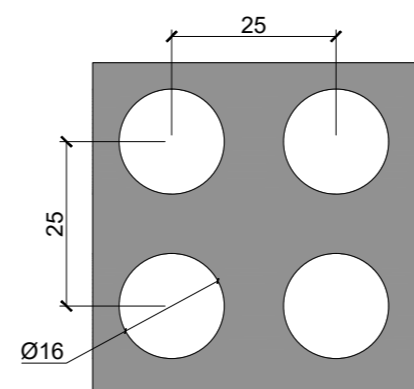
Perforasyon / Perforation
Boşluk Oranı / Open Area $\varnothing 2,3$ mm
%23,69



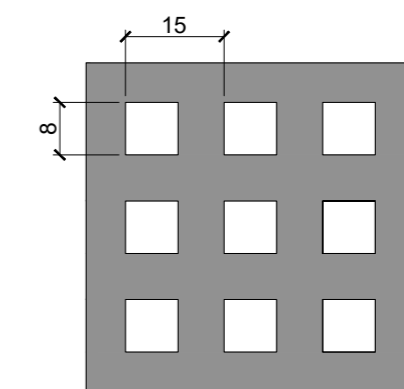
Perforasyon / Perforation
Boşluk Oranı / Open Area $\varnothing 2,5$ mm
%16,20



Perforasyon / Perforation
Boşluk Oranı / Open Area $\varnothing 2,5$ mm
%32,10



Perforasyon / Perforation
Boşluk Oranı / Open Area $\varnothing 16$ mm
%32,15



Perforasyon / Perforation
Boşluk Oranı / Open Area 8x8 mm
%28

Special patterns can be produced upon request.

• Agro Service / Izmir

• AKO Petlas / Ankara

• Alper Çelik / Kocaeli

• Alvimedica / Istanbul

• APM Terminal / Izmir

• ASO Mızrak Metal / Ankara

• Audi Showroom / Denizli

• Babacan Hotel / Balıkesir

• Babadağ Teleferik / Mugla

• Balance Güneşli / Istanbul

• Bareks Plastic / Izmir

• Bilişim Vadisi / Kocaeli

• Bilnet Schools / Ankara

• Bodrum İmno Office / Mugla

• Bosch / Manisa

• Carousel AVM / Istanbul

• Doğa College / İstanbul

• DSİ / Denizli

• Ekin Ses / İzmir

• Ekol Koz Maden / Istanbul

• Er Prefabrik / Manisa

• Euro Gıda / Izmir

• Gelecek College / Mersin

• Gen Pharmacy / Ankara

• Güzelbahçe College / Izmir

• HAVELSAN / Izmir

• İmam Hatip High School / Denizli

• İncek Loft / Ankara

• İnvent Yapı Tasarım / Sakarya

• İSMMO / Istanbul

• Isuzu Showroom / Manisa

• İş GYO / Ankara

• İya Tekstil / Izmir

• İYİ Parti / Ankara

• Jaguar Özgörkey / İzmir

• Jantsa / Aydın

• JTI / Iranian

• KAMTAŞ / Izmir

• Karesi Special Edu. Ins. / Balıkesir

• Kardelen Housing Project / Izmir

• KASTAŞ Headquarters / Izmir

• KFC Gıda / Izmir

• Kipa / Izmir

• Koçak Baklava / Gaziantep

• Koronza / Izmir

• Kunt Office / Istanbul

• Maidan Offices / Ankara

• Mavişehir Preschool / Izmir

• Meer Mimarlık Offices / Izmir

• Mektebim Schools / Antalya

• Mira Tower Offices / Ankara

• Next Level Office / Ankara

• Orion Packaging/ Izmir

• OSB Scada Center / Adana

• Özgözde IVECO / Ankara

• Özmumcu Gıda / Izmir

• Pemaks / Kocaeli

• PHILSA Offices / Izmir

• Plenpak Packaging / Manisa

• PRD Vilları / Izmir

• Ran Tekstil / İzmir

• Regnum Tower / Ankara

• Remax / Gaziantep

• Ro-Ro Port / Yalova

• Salihli Municipality / Manisa

• Securitas Headquarters / Ankara

• Tekfen / Istanbul

• Tezcan Un / Izmir

• TIRSAN Headquarters / Manisa

• Torunlar Office / Istanbul

• TÜMSİAD / Istanbul

• TÜRSAB / Istanbul

• Ulusoy Headquarters / Izmir

• Vadi İstanbul / Istanbul

• VIA GREEN Offices / Ankara

• Yıldırım Kule Offices / Ankara

