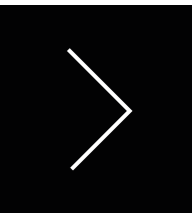




integra<sup>®</sup>

SEPERA PARTITION SYSTEMS





The dynamic nature of everyday life requires the working spaces to be just as dynamic. Thus, modular and movable partition systems are becoming widespread instead of classical walls because of the changes in spatial design. These systems are easily demountable and highly portable compared to their alternatives.



# INDEX

6

24

44

66

82

92

98

104

112

118

122

138

## Partition Systems

**SG-40 / SG-55**  
Single Glazed Systems

**DG-87**  
Double Glazed System

**DM-106**  
System with Joints

**DM-FLUSH**  
Structural Glazing System

**OM-70 / OM-100**  
Systems with Omega

## DOOR LEAVES

## Seperator Systems

**SG-40 LITE / SG-55 LITE**  
Systems with Glass Fittings

**DM-106 LITE**  
System with Joints

**OM-70 LITE / OM-100 LITE**  
Systems with Omega

## Adjustable Door Frames SEPERA DOOR

## Movable Partition Systems SEPERA MOVE

## Some of Our References

**Construction**

**GLAZED TO GLAZED SYSTEMS**

**SYSTEMS WITH JOINTS**

**SYSTEMS WITH OMEGA**

**System**

**SG-40/55**

Single Glass

**DG-87**

Double Glass

**DM FLUSH**

Structural Glass

**DM-106**

Single Glass

Double Glass

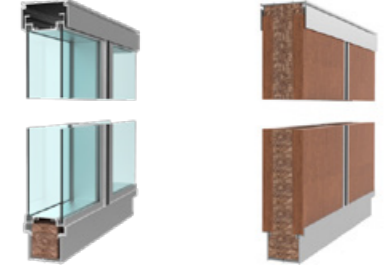
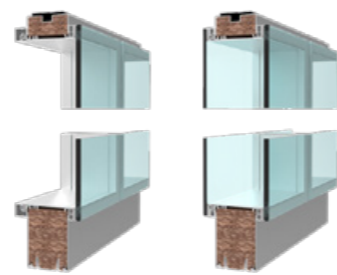
Solid Module

**OM-70/100**

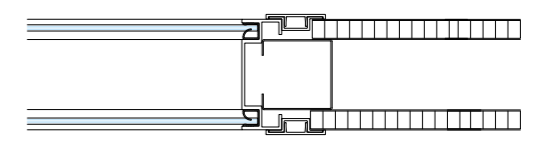
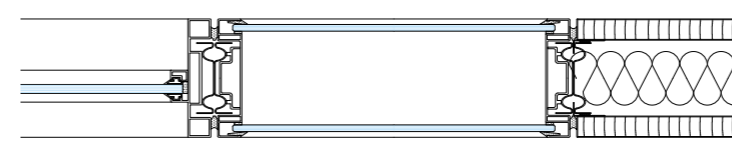
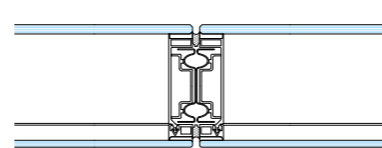
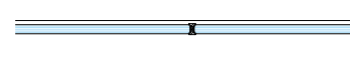
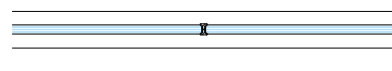
Double Glass

Solid Module

**System View**



**System Section**



**System Dimensions**

System Thickness  
**40 mm**  
Profile Height  
**SG-40, 40 mm; SG-55, 55 mm**

System Thickness  
**87 mm**

System Thickness  
**106 mm**

System Thickness  
**106 mm**

System Thickness  
OM-70: **70 mm**  
OM-100: **100 mm**

**Modul Materials**

10 mm temp. glass  
12 mm temp. glass  
5+5 mm laminated temp. glass  
6+6 mm laminated temp. glass  
38 mm thick melamine veneered (both sides) chipboard with 1mm PVC sideband (Optional; Melamine veneered chipboard, MDF, HPL laminate natural wood etc.)

10 mm temp. glass  
5+5 mm laminated temp. glass  
5+4 mm laminated temp. glass  
18 mm thick melamine veneered (both sides) chipboard with 1 mm PVC sideband (Optional; Laminate veneered chipboard, MDF, HPL laminate natural wood etc.)  
Insulation material between solid panels (50 mm mineral wool)

6 mm & 8 mm temp. glass  
6 mm & 6 mm temp. glass  
18 mm thick melamine veneered (both sides) chipboard with 1 mm PVC sideband (Optional; Laminate veneered chipboard, MDF, HPL laminate natural wood etc.)  
Insulation material between solid panels (60 mm mineral wool)

6 mm float glass  
8 mm float glass  
4 + 4 mm laminated glass  
6 mm float glass  
5 mm float glass  
4 mm float glass  
18 mm thick melamine veneered (both sides) chipboard with 1 mm PVC sideband (Optional; Melamine veneered chipboard, MDF, HPL laminate natural wood etc.)  
Insulation material between solid panels (60 mm mineral wool)

4 mm float glass  
6 mm float glass  
12 mm thick melamin veneered chipboard (Optional; CPL-HPL laminate, MDF acoustic, natural wood etc.)  
Insulation material between solid panels (50 mm mineral wool)

**Ses Yalıtım Değerleri Sound Insulation Values**

**33,6 dB**  
(with 10 mm temp. glass)

**38,7 dB**  
(with 10 mm and 10 mm temp. glass)  
**43,3 dB**  
(with 10 mm temp. glass & 5+4 mm laminated glass)

**42 dB**  
(with 6 mm and 8 mm temp. glass)

**48 dB**

**Accessories**

Cable duct  
Pieced glazes  
Organizer (solid moduls)

Cable duct  
Venetian blinds  
Organizer (solid moduls)

Cable duct  
Venetian blinds  
Organizer (solid moduls)

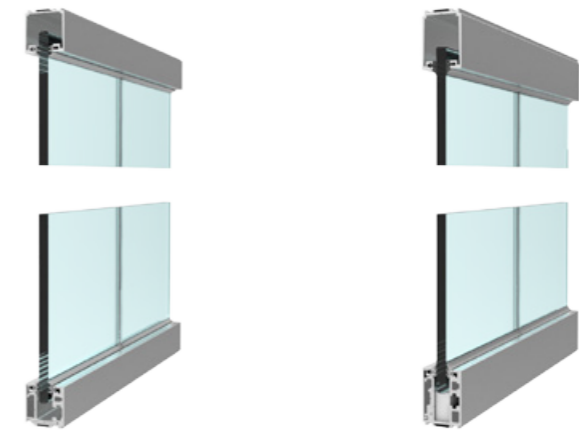
Cable duct  
Venetian blinds  
Organizer (solid moduls)

Cable duct  
Venetian blinds

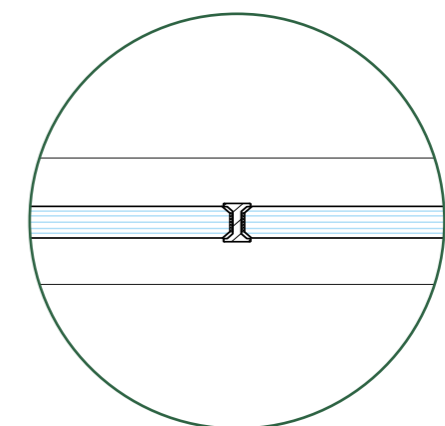


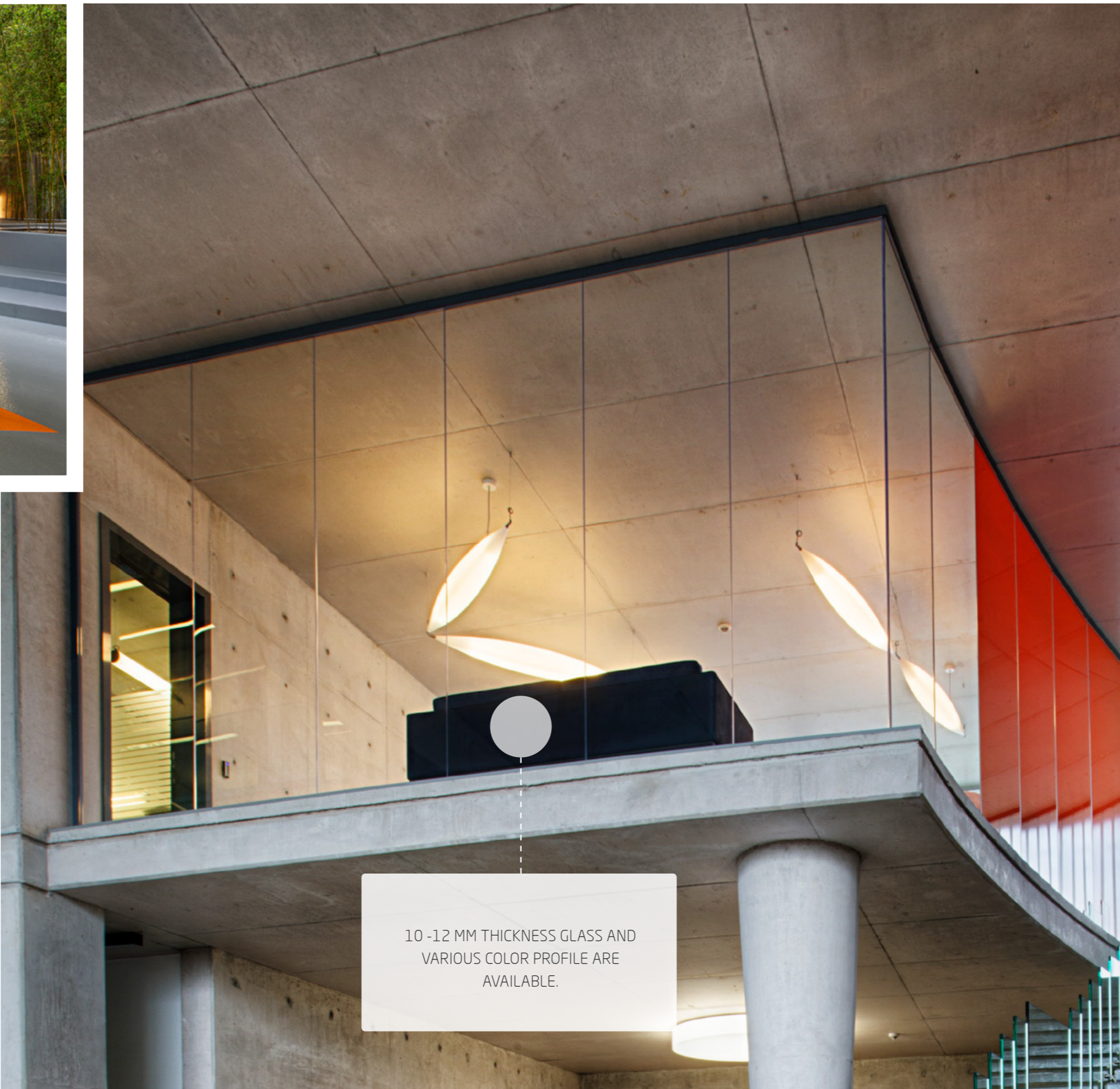
# SG-40 / SG-55

## SINGLE GLAZED SYSTEMS

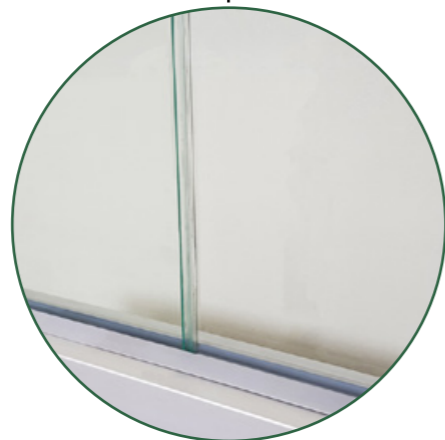


WHILE CREATING PRIVATE SPACES, SG-40 / SG-55 PROVIDES THE BEST SOLUTIONS TO CUSTOMERS REQUIREMENTS WITH ITS TRANSPARENCY, SIMPLICITY, MODERN APPEARANCE AND





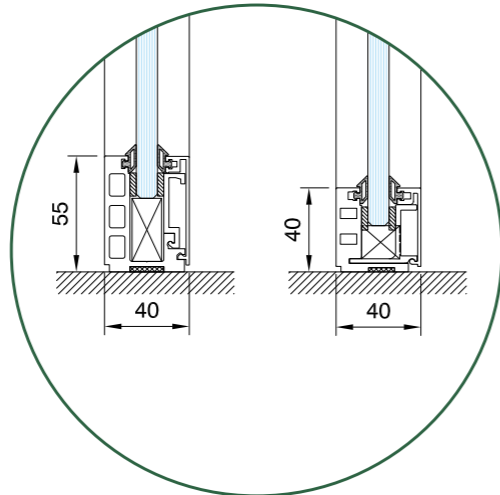
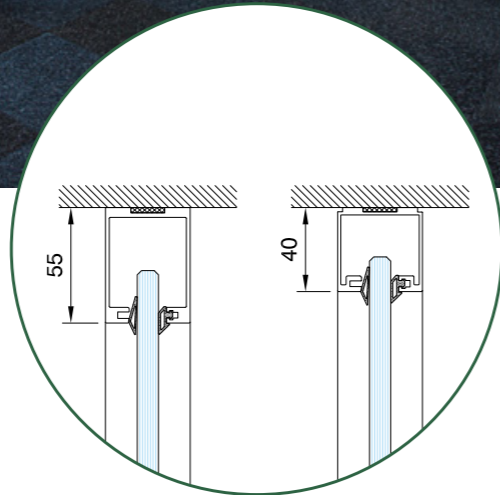
IN GLASS TO GLASS JOINTS, THIN ALUMINIUM OR PVC JOINT PROFILES OR DOUBLE SIDED TAPES CAN BE USED.



10 -12 MM THICKNESS GLASS AND VARIOUS COLOR PROFILE ARE AVAILABLE.

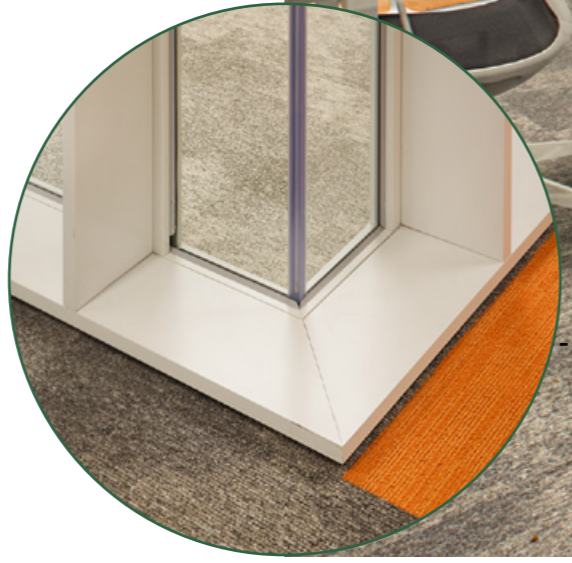
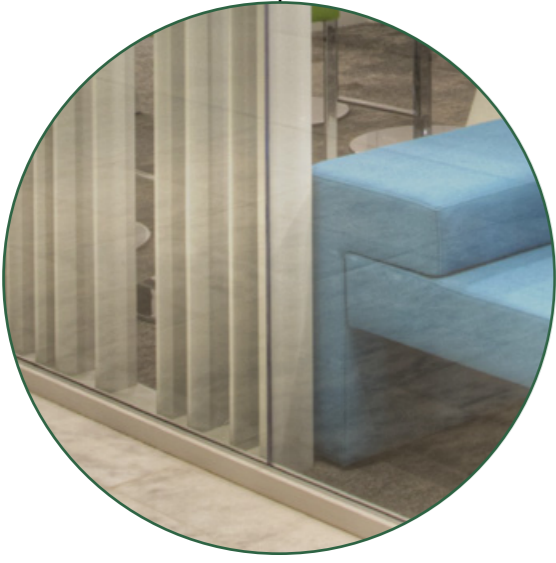
**Project**  
**Architectural Design**  
**Product**

Euro Gıda - Izmir  
Öney Mimarlık  
SG-40 / SG-55 Single Glazed Systems



MAXIMUM TRANSPARENCY IS OBTAINED IN THIS SYSTEM WHERE HEIGHT GROUND AND CEILING PROFILES CAN BE APPLIED AS 40 OR 55 MM.



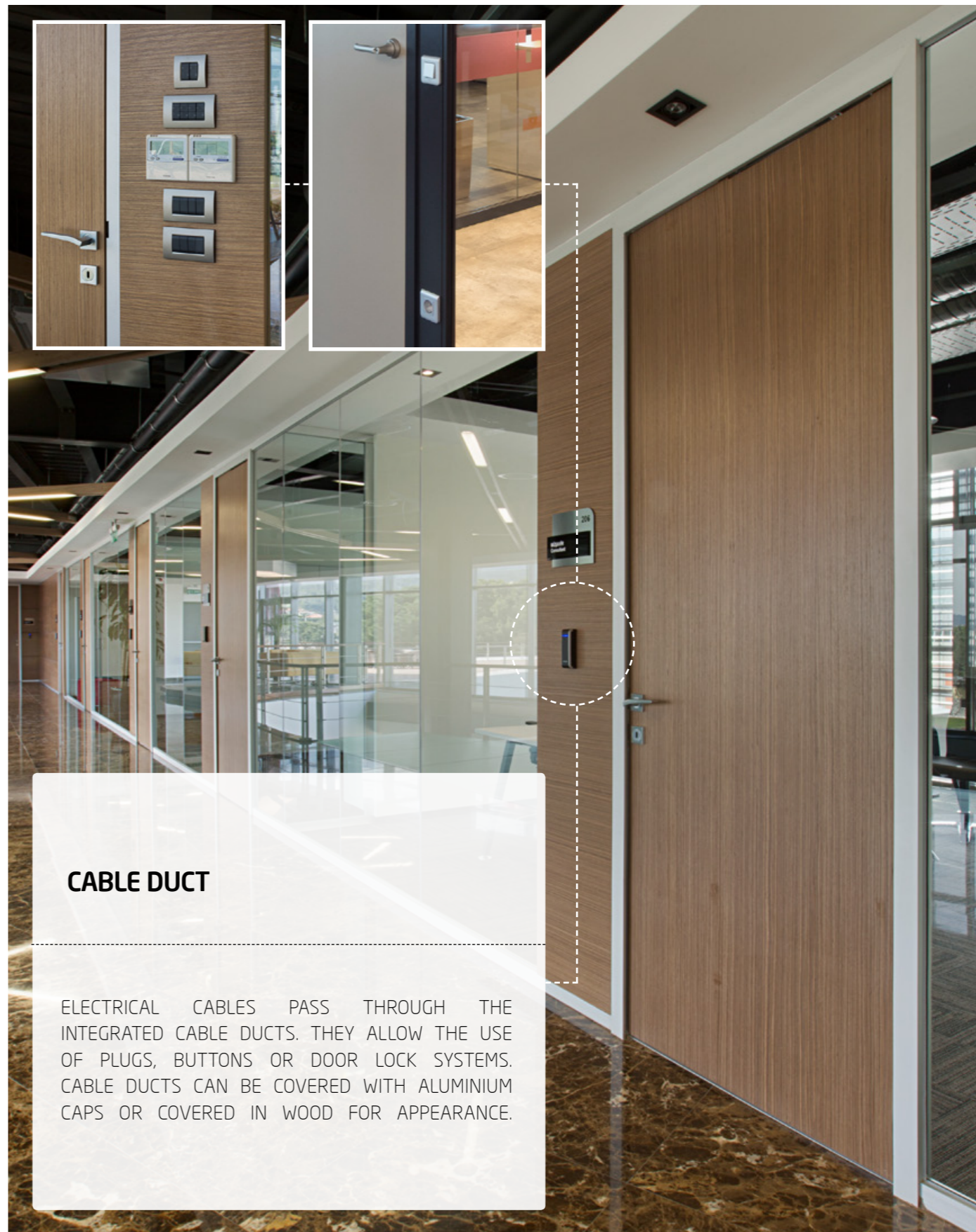






**USE OF SG-40 / SG-55 SYSTEMS WITH "DM-HIDDEN FRAME"**

IT IS THE SOLUTION USED IN PROJECTS WHERE THE DOOR FRAME IS REQUESTED TO BE CONCEALED IN SG-40 / SG-55 SYSTEMS. THIS SOLUTION PROVIDES A MONOLITHIC APPEARANCE.



**CABLE DUCT**

ELECTRICAL CABLES PASS THROUGH THE INTEGRATED CABLE DUCTS. THEY ALLOW THE USE OF PLUGS, BUTTONS OR DOOR LOCK SYSTEMS. CABLE DUCTS CAN BE COVERED WITH ALUMINIUM CAPS OR COVERED IN WOOD FOR APPEARANCE.

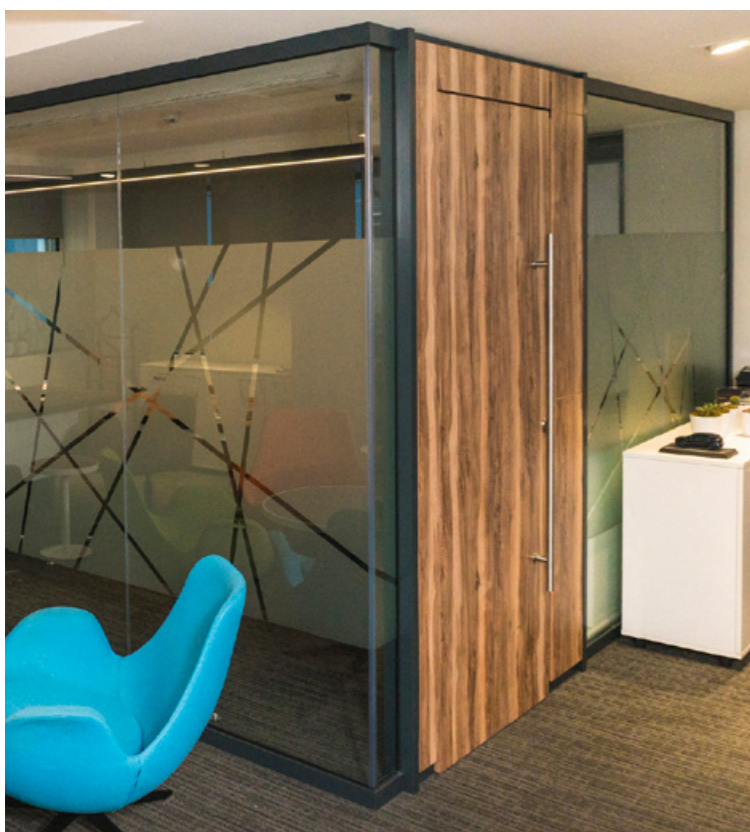
**Project**  
**Architectural Design**  
**Product**

Manisa OIZ - Manisa  
AULA Mimarlık  
SG-40 / SG-55 Single Glazed Systems



**ALTERNATIVE SOLUTIONS FOR CORNER TURNS**

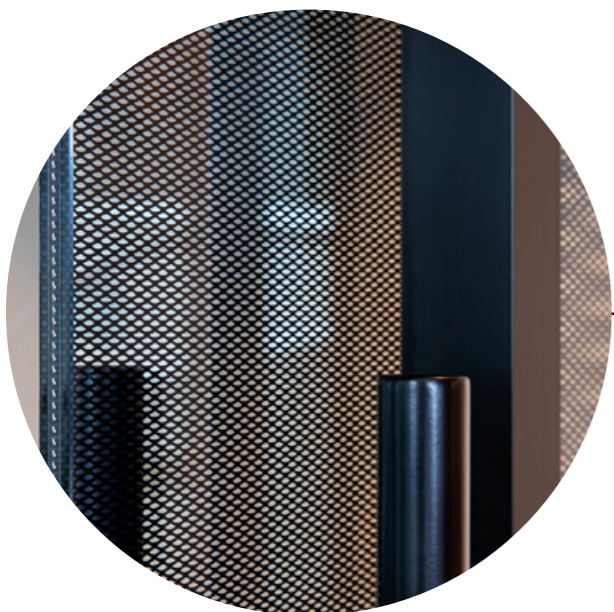
CURVED GLASS TURNS; IT IS AN ALTERNATIVE TO 90 DEGREE TURNS REALIZED WITH THIN ALUMINIUM OR PVC JOINT PROFILES OR DOUBLE-SIDED TAPE.



**Project**  
**Architectural Design**  
**Product**

Otokoç Head Office - Istanbul  
Vero Mimarlık  
SG-40 / SG-55 Single Glazed Systems





EXPANDED ALUMINIUM  
MESH LAMINATED  
GLASSES



Project  
Architectural Design  
Product

Rönesans Holding - Ankara  
Yazgan Mimarlık  
SG-40 / SG-55 Single Glazed Systems

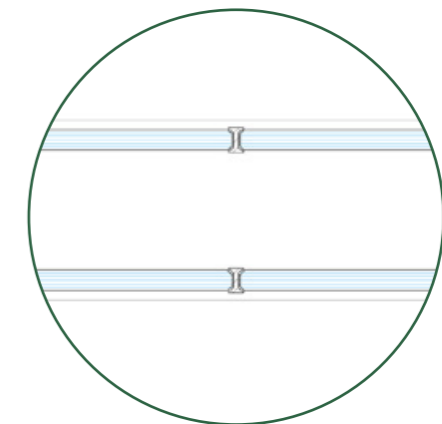


# DG-87

## DOUBLE GLAZED SYSTEM



DESIGNED WITHOUT VERTICAL PROFILES FOR MAXIMUM TRANSPARENCY, THE DG-87 STANDS OUT WITH ITS HIGH ACOUSTIC INSULATION. THE SYSTEM OFFERS AESTHETIC PARTITION WALL DESIGN OPPORTUNITY WITH SOLID MODULE INTEGRATION.





THE SYSTEM CAN TOLERATE THE DIFFERENCES IN FLOOR TO CEILING LEVEL BY  $\pm 15$  MM AND THAT PROVIDES EASE OF INSTALLMENT.



WITH DOUBLE GLAZED SYSTEM, MAXIMUM TRANSPARENCY AND SUPERIOR ACOUSTIC COMFORT ARE ACHIEVED.

\* Value measured at laboratory environments complies with TS EN 10140-2 by accredited institution and measured values are defined in TS EN ISO 717-1.

### GLASS TO GLASS SECTION

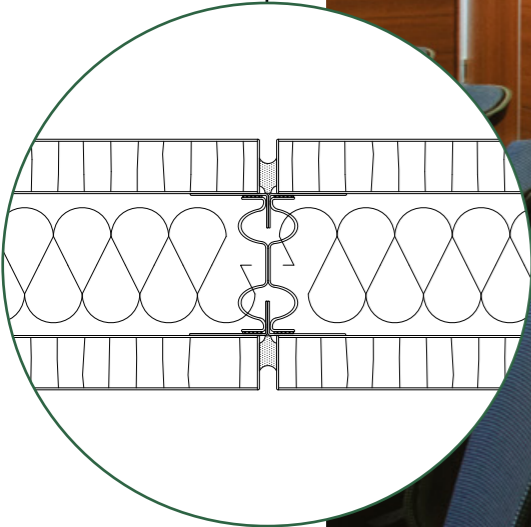
THE SYSTEM CONSISTS OF 10 MM THICK TEMPERED OR LAMINATED GLASS, AS WELL AS THIN ALUMINIUM OR PVC JOINT PROFILES OR DOUBLE-SIDED TAPE FOR THE GLASS-TO-GLASS CONNECTION.





**SOLID MODULE**

IN ADDITION TO GLASS TO GLASS STRUCTURE, IT OFFERS THE OPPORTUNITY FOR SOLID MODULE INTEGRATION CUSTOMIZED FOR PROJECTS WITH THE USE OF STEEL UPRIGHTS AND CLIP-IN RAILS.







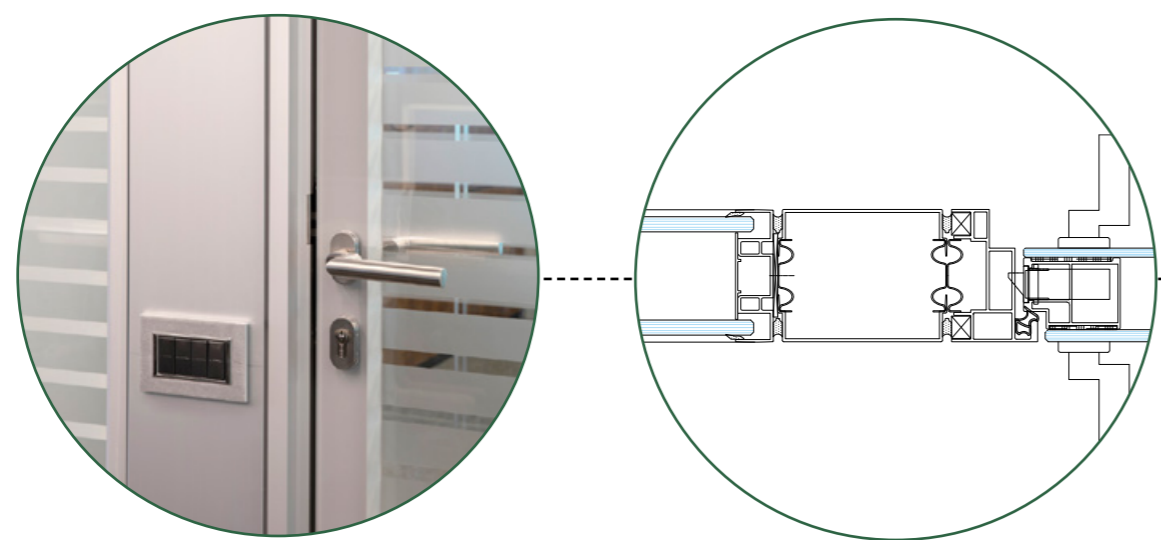
Project  
Architectural Design  
Product

Bayer - Istanbul  
Ünder Mimarlık  
DG-87 Double Glazed System



**CABLE DUCT**

IT ALLOWS THE APPLICATIONS SUCH AS WIRING AND TRANSMISSION SYSTEMS, ELECTRICAL SOCKETS, LIGHTING BUTTONS WITH THE "METAL CABLE DUCTS" ALTERNATIVE TO WOODEN CABLE DUCTS.





>  
DG-87



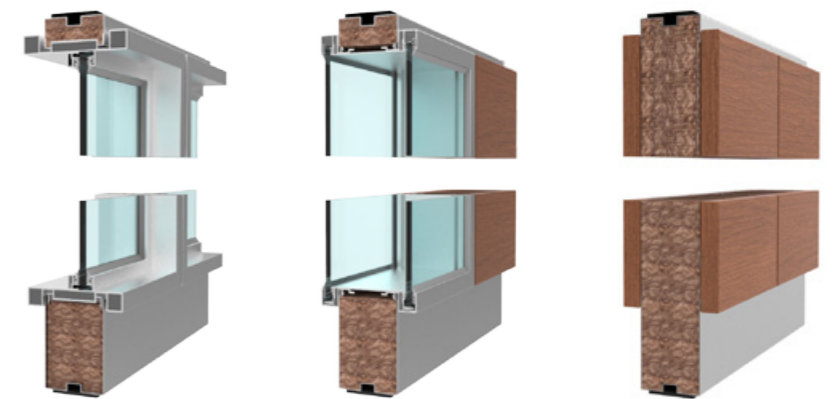


>  
DG-87

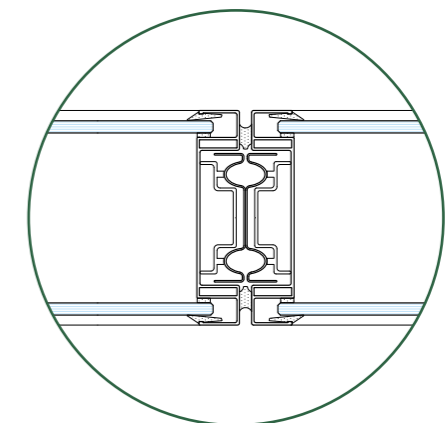


# DM-106

## SYSTEM WITH JOINTS



DESIGNED TO CREATE THE BEST IN OFFICE COMFORT, DM-106 STANDS OUT WITH HIGH STABILITY, HIGH SOUND INSULATION FIRE CONTROL AND FAST INSTALLATIONS FEATURES.









**Project**  
**Architectural Design**  
**Product**

Güneş Head Office - Adana  
Serhan Sekendiz  
DM-106 System with Joints



**Project**  
**Architectural Design**  
**Product**

Kuveyt Türk Banking Center - Kocaeli  
YPU Pınar Kocabaş  
DM-106 System with Joints



OPPORTUNITY TO CREATE  
AESTHETIC AND FUNCTIONAL  
SPACES WITH FILM APPLICATION

### MANUAL & AUTOMATIC VENETIAN BLIND APPLICATION

INSTALLATION OF VENETIAN BLINDS IN GLASS MONOBLOCKS IS PERFORMED AT THE PRODUCTION STAGE AND THUS THE INSTALLATION TIME ON SITE DECREASES. MOREOVER, IT IS NOT AFFECTED FROM THE NEGATIVE CONDITIONS OF DUSTY ENVIRONMENTS ON SITE.



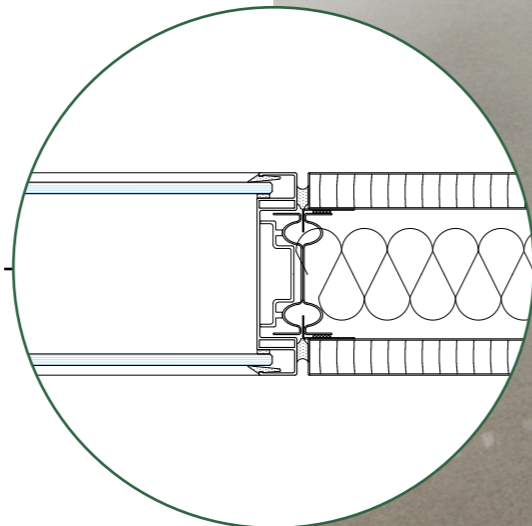
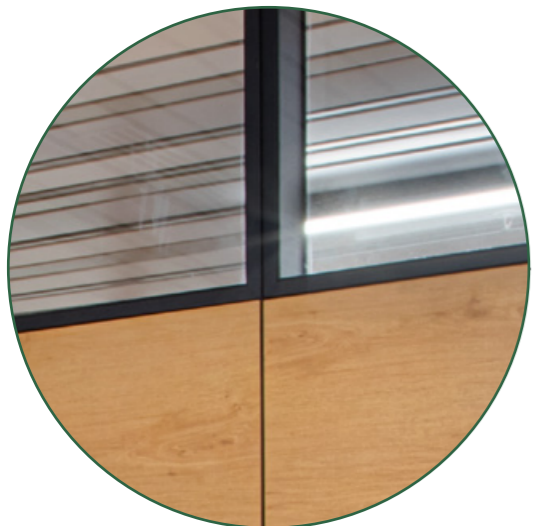


IN DM-106 MODULES, WALL PANELS ARE CLIPPED TO STEEL UPRIGHT PROFILES WITH CLIP-IN RAILS USED IN FULL LENGTH. COMPARED TO SYSTEMS FIXED AT A SINGLE POINT, DM-106 PROVIDES ADVANTAGE IN VISUAL AESTHETICS AND STRENGTH.

**STEEL UPRIGHTS**

---

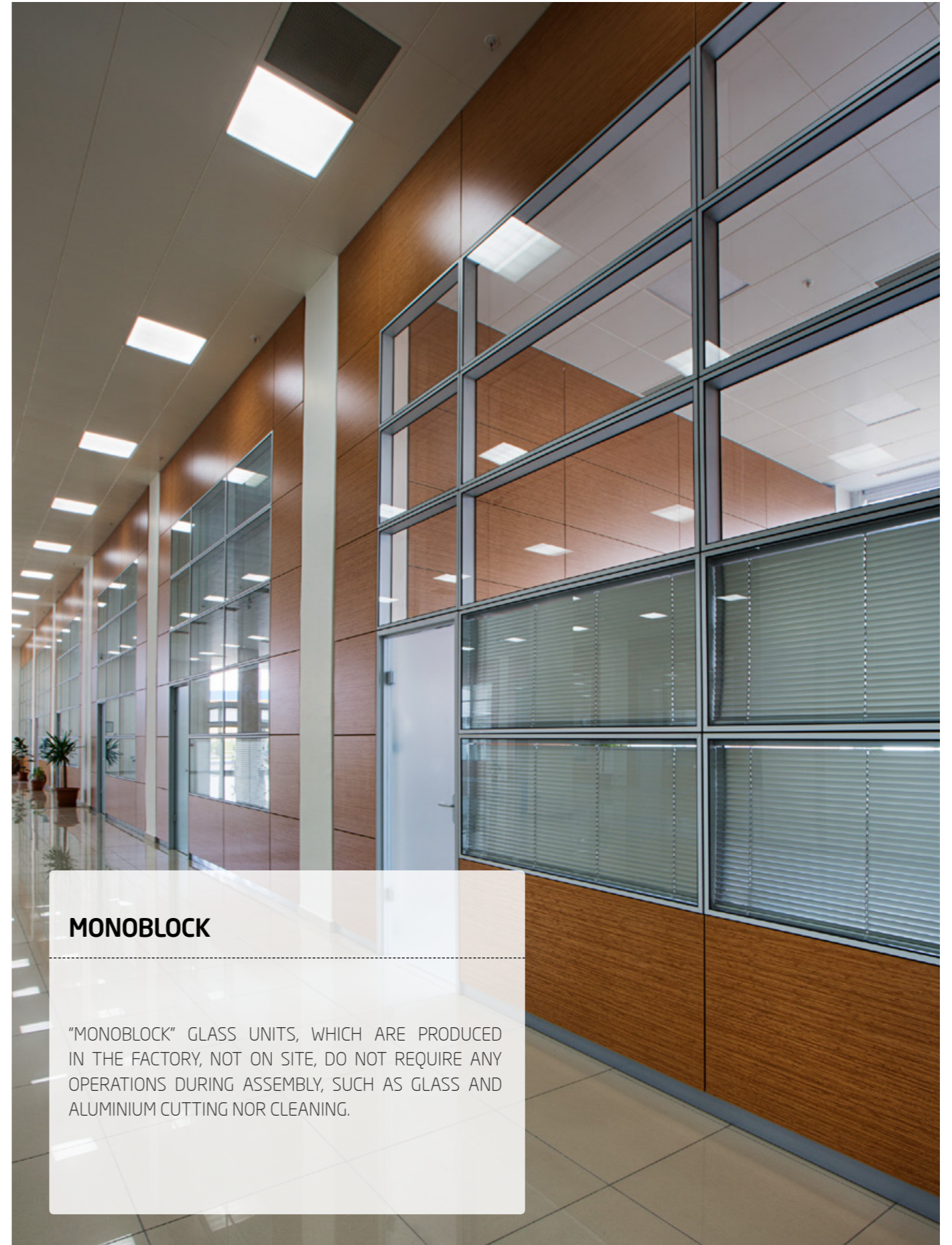
STRUCTURE OF STEEL UPRIGHTS.





**HIGH STABILITY**

DUE TO ITS NATURE, DM-106 IS STRONG AND IMPACT RESISTANT, ALLOWING FOR USE OF AREAS WHERE FLOOR TO CEILING HEIGHT NEEDS TO BE HIGH.



**MONOBLOCK**

"MONOBLOCK" GLASS UNITS, WHICH ARE PRODUCED IN THE FACTORY, NOT ON SITE, DO NOT REQUIRE ANY OPERATIONS DURING ASSEMBLY, SUCH AS GLASS AND ALUMINIUM CUTTING NOR CLEANING.

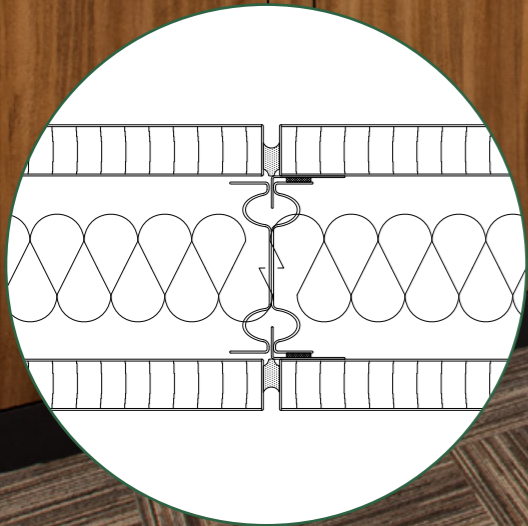


**CABLE DUCT**      CABLE DUCTS USED THROUGH THE FLOOR PROFILES.



## SOLID MODULE

IN ADDITION TO MONOBLOCKS, IT OFFERS THE OPPORTUNITY OF SOLID MODULE INTEGRATION SUITABLE FOR TO YOUR PROJECT WITH STEEL UPRIGHTS AND THE CLIP-IN RAILS.

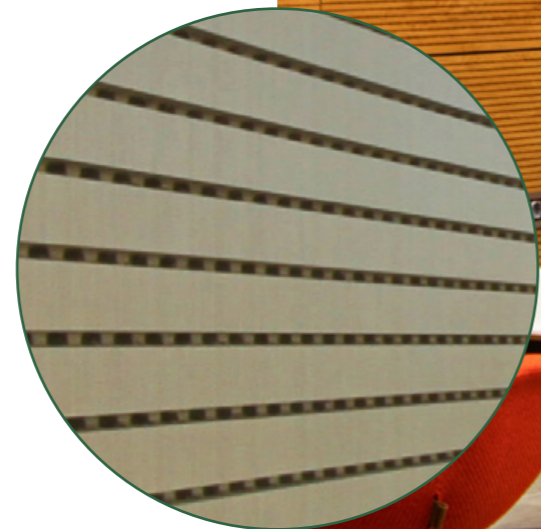
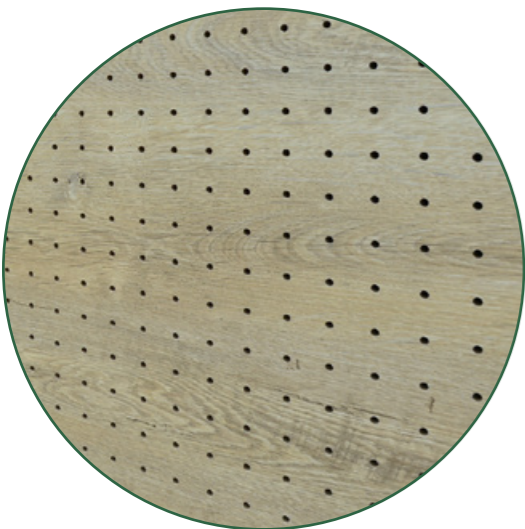
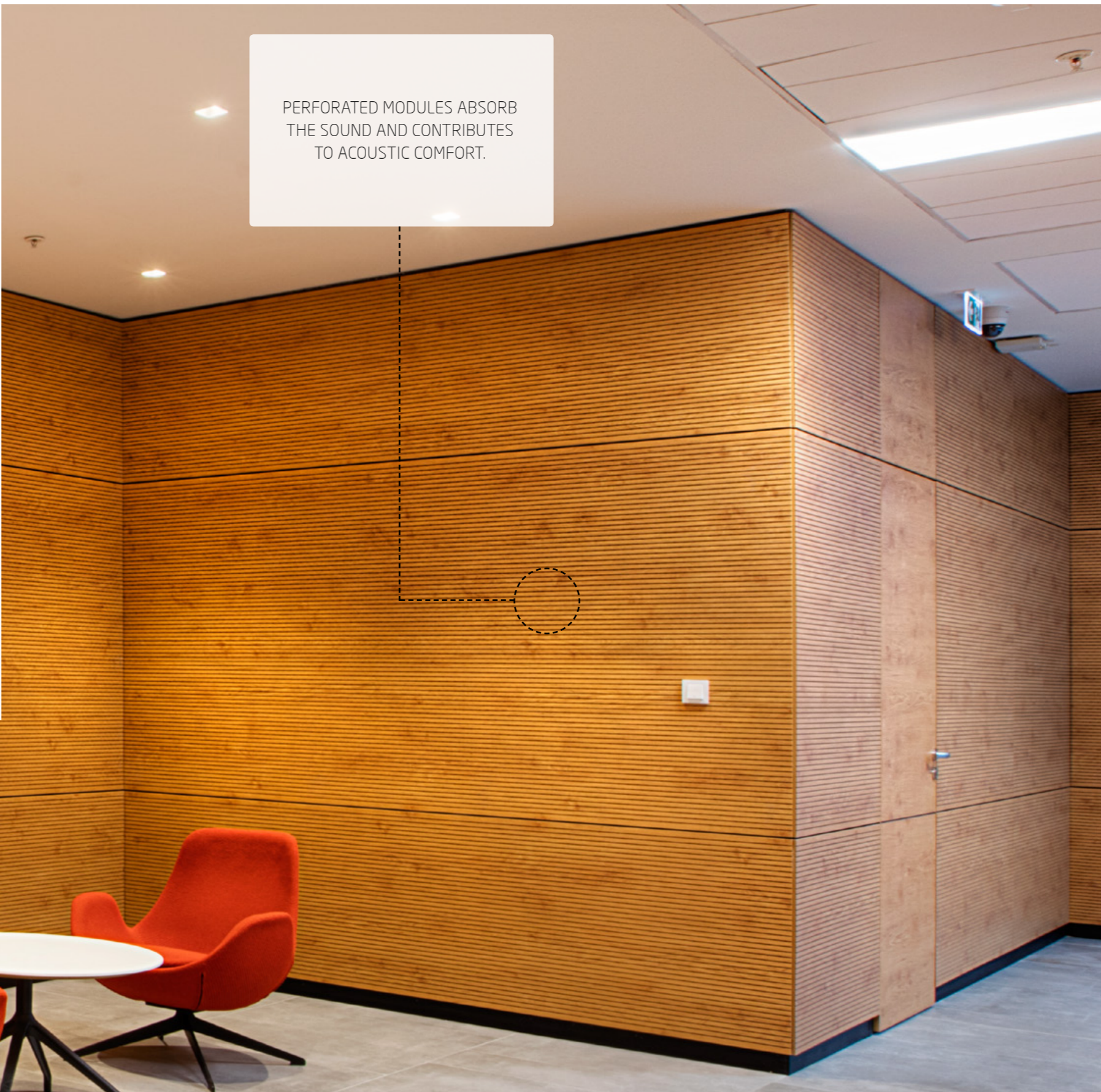


# 48dB\*

## +48 dB SOUND INSULATION IN SOLID MODULES

THE FIXING OF THE PANELS TO STEEL UPRIGHT PROFILES INTO THE CLIP-IN RAILS HORIZONTALLY AND VERTICALLY CREATES "PERFECT COMBINATION" AND "HIGH ACOUSTIC INSULATION" WITHOUT THE NEED FOR ANY ADDITIONAL PARTS.

\* Value measured at laboratory environments complies with TS EN 10140-2 by accredited institution and measured values are defined in TS EN ISO 717-1.





## GLADDING WALL PANELS

- COATED GLAZED
- SOLID
- ACOUSTIC
- FABRIC WRAPPED
- METAL
- ILLUMINATION INTEGRATED

**FLEXIBLE, TIDY AND ORGANIZED OFFICES.**

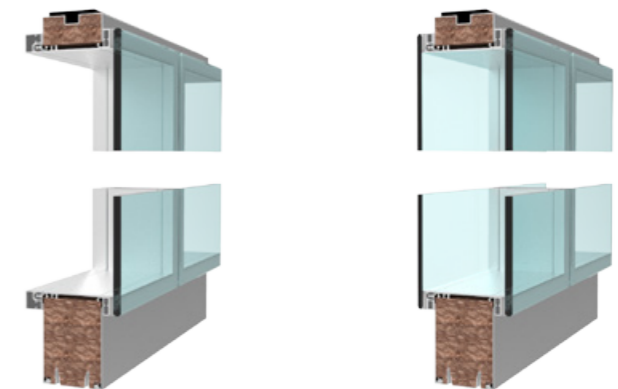


DM-106 CREATES A PLEASANT AND FUNCTIONAL WORKING ENVIRONMENT WITH ITS MOVABLE SHELF SYSTEM SPECIALLY DEVELOPED FOR CONTEMPORARY WORKING ENVIRONMENTS AND TRANSITION SOLUTIONS SUITABLE FOR ALL KINDS OF INFRASTRUCTURE HARDWARE. SHELVES, MAGNETIC STRIPS, CLOTH HANGERS, WALL PANELS IN OFFICES CAN BE QUICKLY AND EASILY INTEGRATED INTO THE SYSTEM WITHOUT ANY ADDITIONAL FITTINGS.

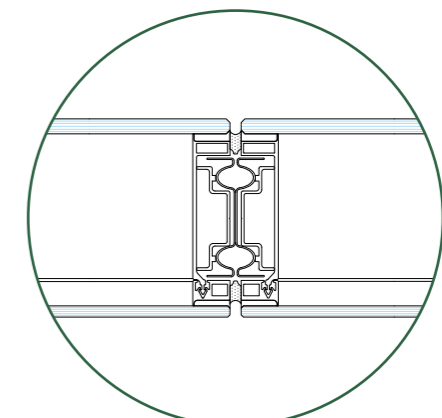


# DM-FLUSH

## STRUCTURAL GLAZING SYSTEM



*DM-FLUSH, BRINGS A NEW APPEARANCE TO WORKSPACES WITH ITS FRAMELESS GLASS, WOOD SURFACES AND HIDDEN DOOR FRAMES.*





# 42dB\*

CONSISTING OF THE MONOBLOCK MODULES, ENTIRELY TRANSPARENT PARTITIONS PROVIDE MAXIMUM ACOUSTIC INSULATION.

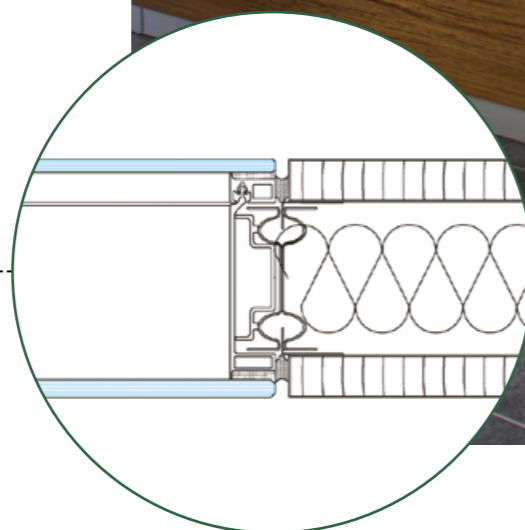


6-8 MM THICK ROUNDED EDGES AND TEMPERED GLASSES ARE BONDED ONTO ALUMINIUM FRAME WITH JOINING TECHNIQUE WITH TWO COMPONENT SILICONE.

\* Value measured at laboratory environments complies with TS EN 10140-2 by accredited institution and measured values are defined in TS EN ISO 717-1.



DM-FLUSH GLASS MODULES CAN BE USED TOGETHER WITH FULL MODULES TO CREATE STYLISH DESIGNS.



**Project**  
**Architectural Design**  
**Product**

Orhan Furniture Head Office - Kayseri  
Orhan Demirçelik  
DM-Flush Structural Glazing System



**VENETIAN BLINDS** USE OF VENETIAN BLINDS HAVING 16 MM OR 25 MM SHEET WIDTHS BETWEEN DOUBLE GLASS.



**Project**  
**Architectural Design**  
**Product**

Rönesans Holding - Ankara  
Yazgan Mimarlık  
DM-Flush Structural Glazing System



**COATED GLASS, FILM OR FRIT APPLICATIONS**



**Project**  
**Architectural Design**  
**Product**

Sakarya OIZ - Sakarya  
Binaa Mimarlık  
DM-Flush Structural Glazing System

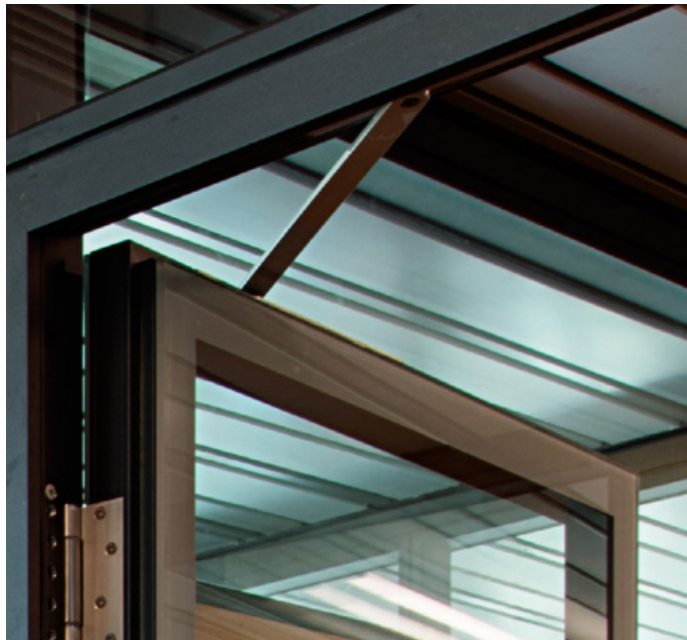


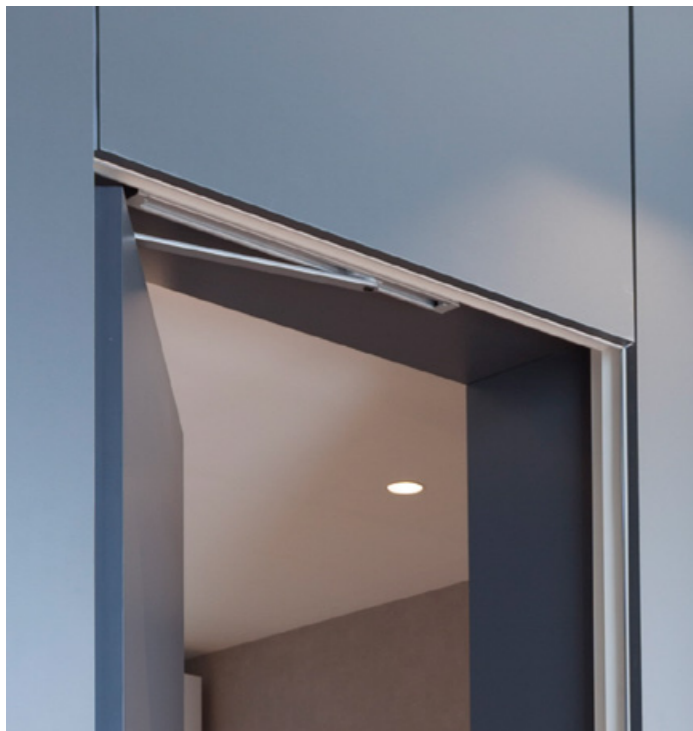
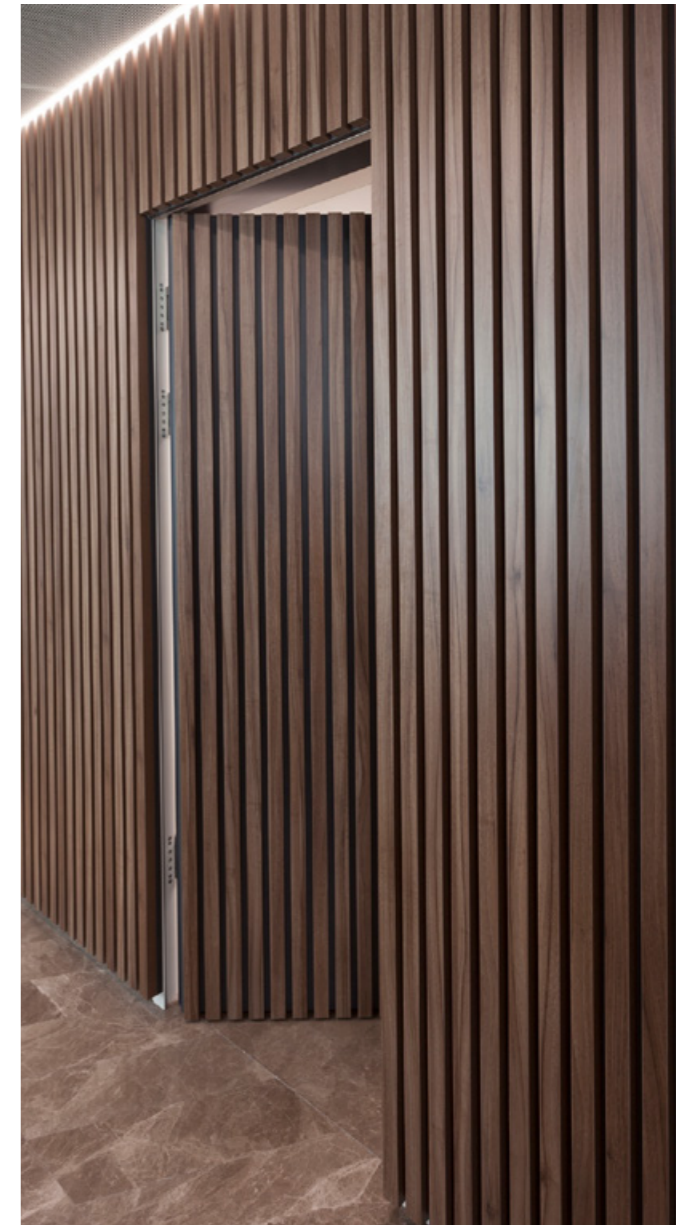




**DOUBLE GLASS DOOR LEAF (62 MM)**

DOOR LEAF IS PRODUCED BY BONDING 6 + 8 MM TEMPERED GLASSES TO ALUMINIUM PROFILE WITH DOUBLE COMPONENT SILICONE. THEY CAN BE USED AS FLUSH FROM THE DESIRED SIDE. CONCEALED DOOR CLOSER, DROP DOWN SEALS, PULL HANDLE ETC. CAN BE USED UPON REQUEST.





**WOODEN DOOR LEAF (70 MM) / DM-HIDDEN FRAME**

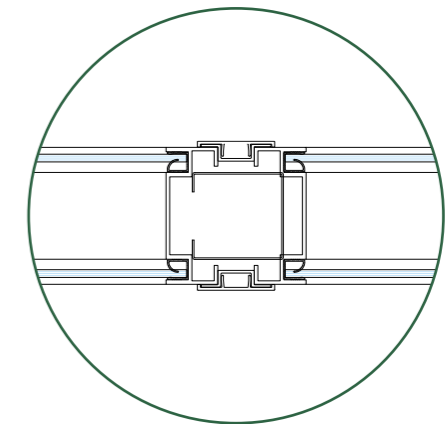
DM-HIDDEN IS USED WHEN FRAME NEEDS TO BE CONCEALED. WHEN USED WITH WOODEN DOOR LEAF (70 MM), THE SYSTEM SURFACE BECOMES FLUSH AND PROVIDES HIGH ACOUSTIC INSULATION.

# OM-70 / OM-100

## SYSTEMS WITH OMEGA



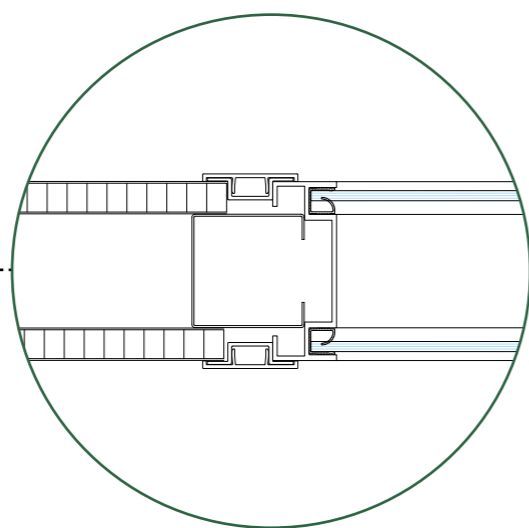
OM-70 / OM-100 MONOBLOCK GLASS MODULES ARE PRODUCED CLEAN AND READY FOR INSTALLATION. BY REMOVING THE PRODUCTION ON SITE, SUCH AS GLASS CUTTING, CLEANING AND VENETIAN BLIND INSTALLATION, CHOOSING THIS SYSTEM SAVES TIME.





### MONOBLOCK GLASS MODULES

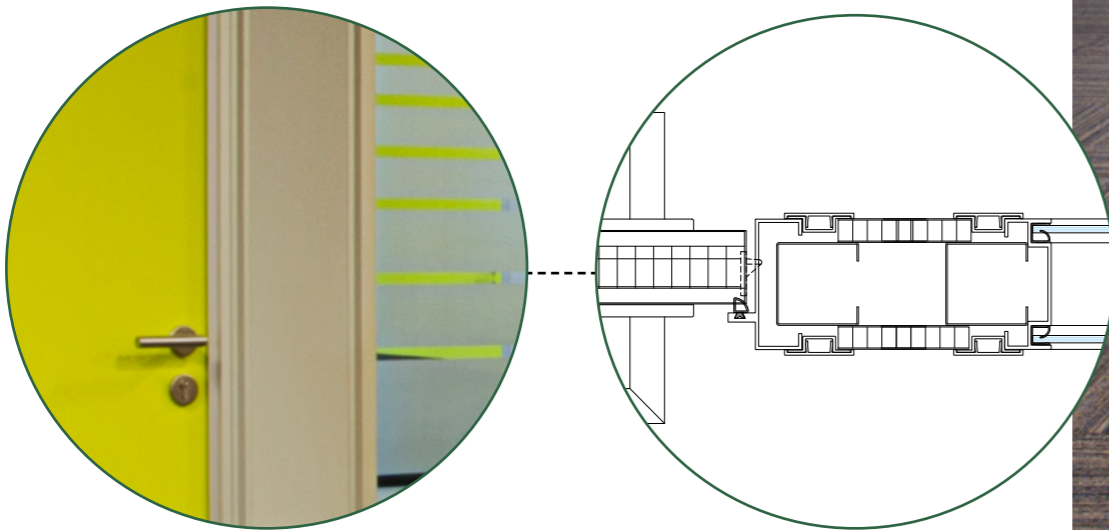
MONOBLOCK GLASSES THAT ARE PRODUCED IN FACTORY ACCORDING TO THE GIVEN DIMENSIONS, CAN HAVE 4 MM OR 6 MM THICKNESS. FOR THE TRANSITIONS BETWEEN THE MODULES, VERTICAL OMEGA PROFILES ARE USED.





**USE OF CABLE DUCT**

CABLE DUCT COMPRISING OF SOLID MODULES INTEGRATED TO THE SYSTEM PROVIDES CABLE TRANSMISSION AND ALLOWS PLACING ELECTRICAL OUTLET, SWITCH AND SCREEN ON IT.





**HORIZONTAL JOINT  
APPLICATION OPTION**

OM-70 / OM-100



OM-70 / OM-100



**Glass Door Leaf**

- 10mm or 5+5 laminated glass
- Door leaf with top panel
- Double leaf use opportunity
- Drop down seal, door closer usage
- Coated glass, film, fritted and so on applications

\* The photo represents SG-40 system.



**Wooden Door Leaf**

- 40mm, 62mm and 70mm wooden door leaf
- Door leaf with top panel
- Double leaf use opportunity
- Drop down seal, door closer usage
- Coated glass, film, fritted and so on applications

\* The photo represents SG-55 system.

**Surface Materials**

- MDFlam
- Laminated
- Lake
- Natural Coating
- Painted Glass

**Used in Systems Below:**

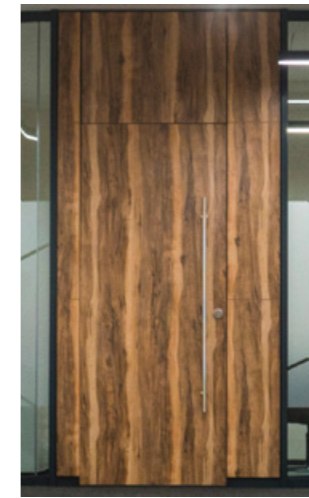
40mm Door Leaf:	62mm Door Leaf:	70mm Door Leaf:
SG-40 *(With SG-55 door frame )	DG-87	SG-40
SG-55	DM-106	SG-55
DG-87	DM-Flush	DM-106
DM-106		DM-Flush
DM-Flush		
DM-106 Lite		
OM-70		
OM-100		
Sepera Door		
*(With SG-55 door frame)		

**Used in Systems Below:**

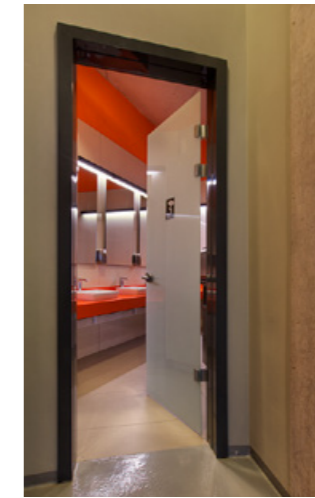
- SG-40
- SG-55
- DG-87
- DM-106
- DM-Flush
- DM-106 Lite
- OM-70
- OM-100
- Sepera Door



Wooden Door Leaf (40 mm) (With Header)  
System : SG-55



Wooden Door Leaf (70 mm)  
System : SG-55 (With DM-Hidden frame)



Glass Door Leaf  
System : Sepera Door



Glass Door Leaf  
System : DG-87



Glass Door Leaf (With Cable Duct)  
System : DM-106



Glass Door - Double Leaf  
System : DM-106



Wooden Door Leaf (40mm) (With Cable Duct)  
System : DM-106



**Aluminium Framed Glass Door Leaf**

- 8mm temp. glass or 4+4 laminated temp. glass
- Double leaf use opportunity
- Drop down seal, door closer usage
- Coated glass, film, fritted and so on applications

\* The photo represents DG-87 system.



**Aluminium Framed Glass Door Leaf (Wide)**

- 8mm temp. glass or 4+4 mm laminated temp. glass
- Double leaf use opportunity
- Drop down seal, door closer usage
- Coated glass, film, fritted and so on applications

\* The photo represents DM-106 system.

**Used in Systems Below:**

- SG-40 \*(With SG-55 door frame)
- SG-55
- DG-87
- DM-106
- DM-Flush
- DM-106 Lite
- OM-70
- OM-100
- Sepera Door

**Used in Systems Below:**

- SG-40 \*(With SG-55 door frame)
- SG-55
- DG-87
- DM-106
- DM-Flush
- DM-106 Lite
- OM-70
- OM-100
- Sepera Door



Wooden Door - Double Leaf (40 mm)  
System : DM-106



Glass Door Leaf With Aluminium Frame  
(With Cable Duct & Drop Down Seal)  
System : DG-87



Glass Door Leaf With Aluminium Frame  
(Wide) - Double Leaf  
System : DM-106

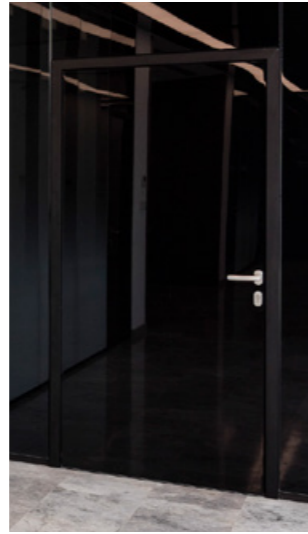




**Double Glass Door Leaf (62mm)**

- Production by bonding glass (8mm + 6mm) to bonding aluminum with bi-component silicon
- Double leaf use opportunity
- Drop down seal, door closer usage
- Coated glass, film, fritted and so on applications

\* The photo represents DM-FLUSH system.



Double Glass Door Leaf (62mm)  
System : DM-FLUSH



Double Glass Door Leaf (62mm)  
System : DM-FLUSH

**Door Leaf Accessories**

**Hinge Receiver**



**Hinges**



The accessories are used as standard in all systems. They allow the hinges to move in 3 axes and prevent the leaves from sagging.

**Used in Systems Below:**

- DG-87
- DM-106
- DM-Flush
- Sepera Door

**Door Closer**



The concealed door closer, which can be used with wooden and double glass door leaves offers an aesthetic solution.

**Strike Plate**



Strike plate that is flush with the door frame factory production and without any jut.



**Double Glass Door Leaf (40mm)**

- Production by bonding the 6mm + 6mm glasses to aluminum with double-sided tape.
- Double leaf use opportunity
- Drop down seal, door closer usage
- Coated glass, film, fritted and so on applications



Double Glass Door Leaf (62mm)  
System : DG-87



Double Glass Door Leaf (62mm)  
System : DM-106

**Used in Systems Below:**

- SG-40 (With SG-55 door frame)
- SG-55
- DG-87
- DM-106
- DM-Flush
- DM-106 Lite
- Sepera Door

**Door Handles**



The door handle options, which can be used with both wooden and glass door leaves, are suitable with different types of lock and electric strikes.

**Construction**

**SYSTEMS WITH GLASS FITTINGS**

**SYSTEMS WITH JOINTS**

**SYSTEMS WITH OMEGA**

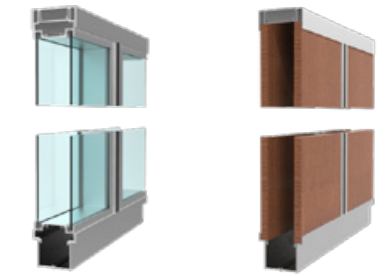
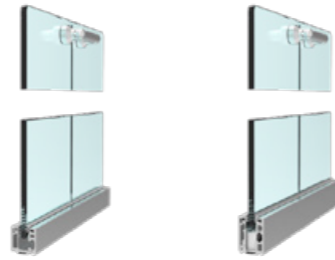
**System**

**SG-40/55 Lite**  
Single Glass

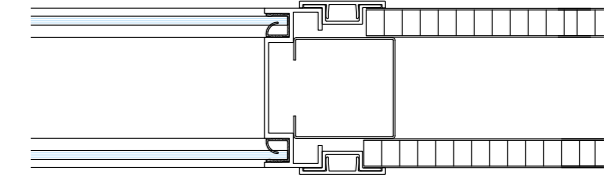
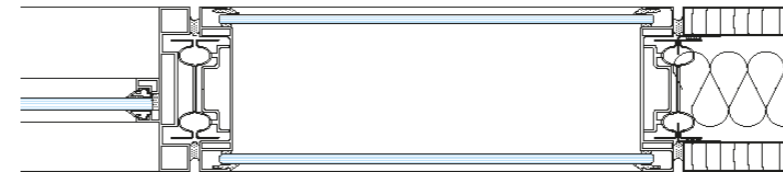
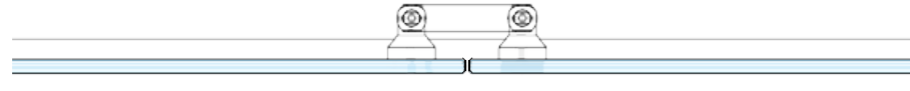
**DM-106 Lite**  
Single Glass    Double Glass    Solid Module

**OM-70/100 Lite**  
Double Glass    Solid Module

**System View**



**System Section**



**System Dimensions**

System Thickness  
**40 mm**  
Profile Height  
**SG-40, 40 mm; SG-55, 55 mm**

System Thickness  
**106 mm**

System Thickness  
OM-70: **70 mm**  
OM-100: **100 mm**

**Modul Materials**

- 10 mm temp. glass
- 12 mm temp. glass
- 5+5 mm laminated temp. glass
- 6+6 mm laminated temp. glass

- |                        |                  |  |
|------------------------|------------------|--|
| 6 mm float glass       | 6 mm float glass | 18 mm thick melamine veneered (both sides) chipboard with 1 mm PVC sideband (Optional; Laminate veneered chipboard, MDF, HPL laminate natural wood etc.) |
| 8 mm float glass       | 5 mm float glass |  |
| 4+4 mm laminated glass | 4 mm float glass |  |

- 4 mm float glass
- 6 mm float glass
- 12 mm thick melamin veneered chipboard (Optional; CPL-HPL laminate, MDF acoustic, natural wood etc.)

**Accessories**

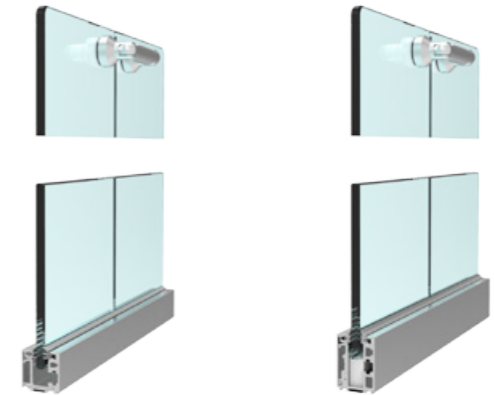
- Cable duct
- Venetian blinds *Venetian blinds*
- Organize (solid moduls)

- Venetian blinds

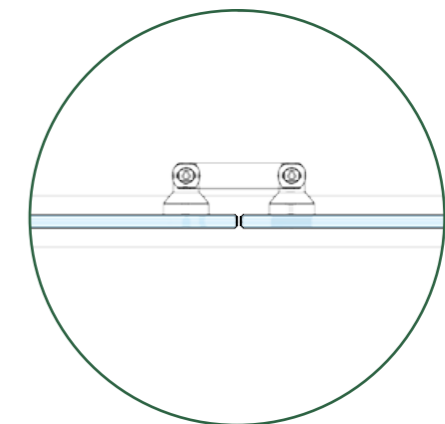


# SG-40 LITE SG-55 LITE

*SYSTEMS WITH GLASS FITTINGS*

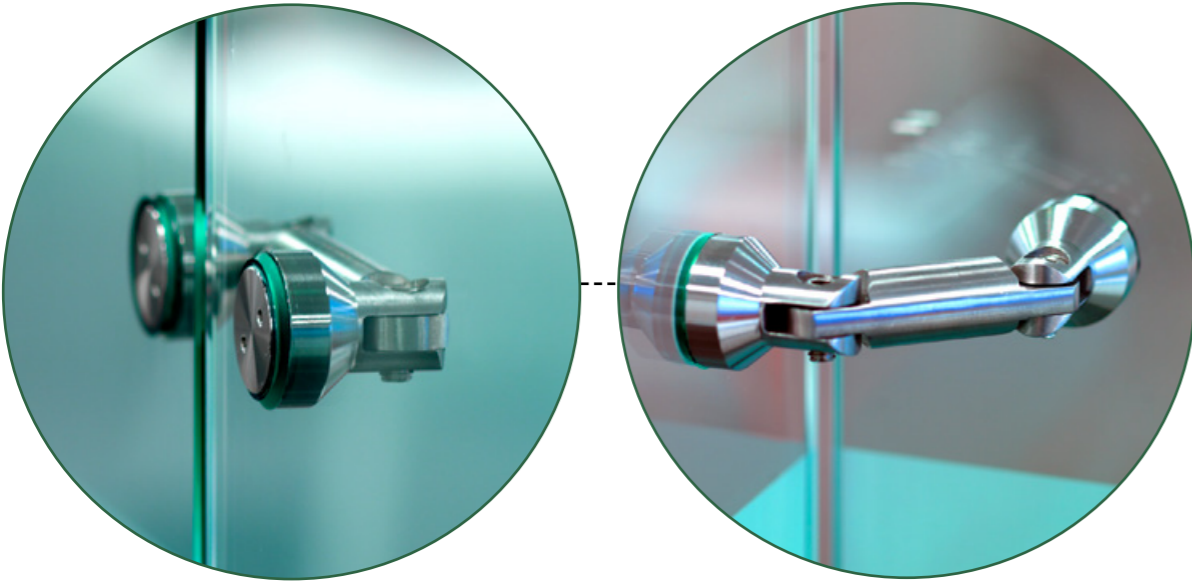


WITH ITS GLASS TO GLASS CONNECTION DETAILS, THIS SYSTEMS OFFERS THE SIMPLEST SOLUTION ON CREATING TRANSPARENT AND DAYLIGHT SPACES.





**DETAIL OF GLASS TO GLASS TRANSITION WITH GLASS STOP**



SG-40 LITE  
SG-55 LITE



**40 OR 55 MM  
FLOOR PROFILE  
HEIGHT**

SG-40 LITE  
SG-55 LITE

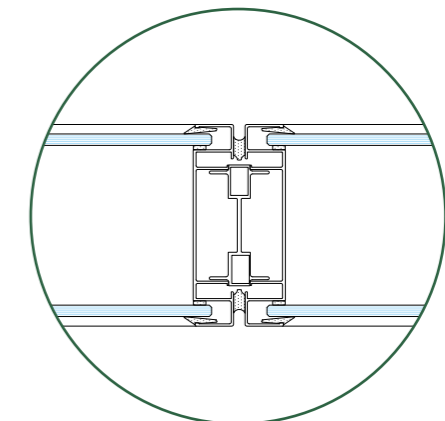


# DM-106 LITE

## SYSTEM WITH JOINTS



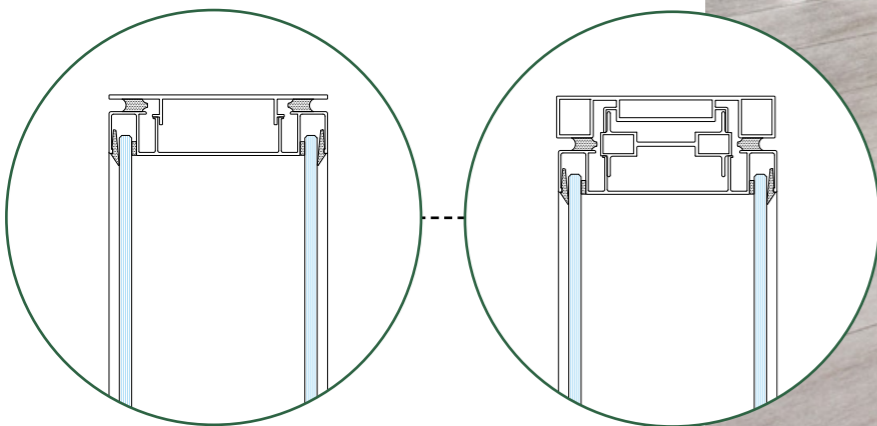
WITH THE CLIP-IN RAILS AND SPECIALLY DESIGNED ALUMINIUM UPRIGHTS, DM-106 LITE IS RESISTANT TO IMPACTS. THANKS TO THE MONOBLOCK PRODUCTION, IT IS EASY TO INSTALL WITH ITS CLEAN AND PRECISE DETAILS.



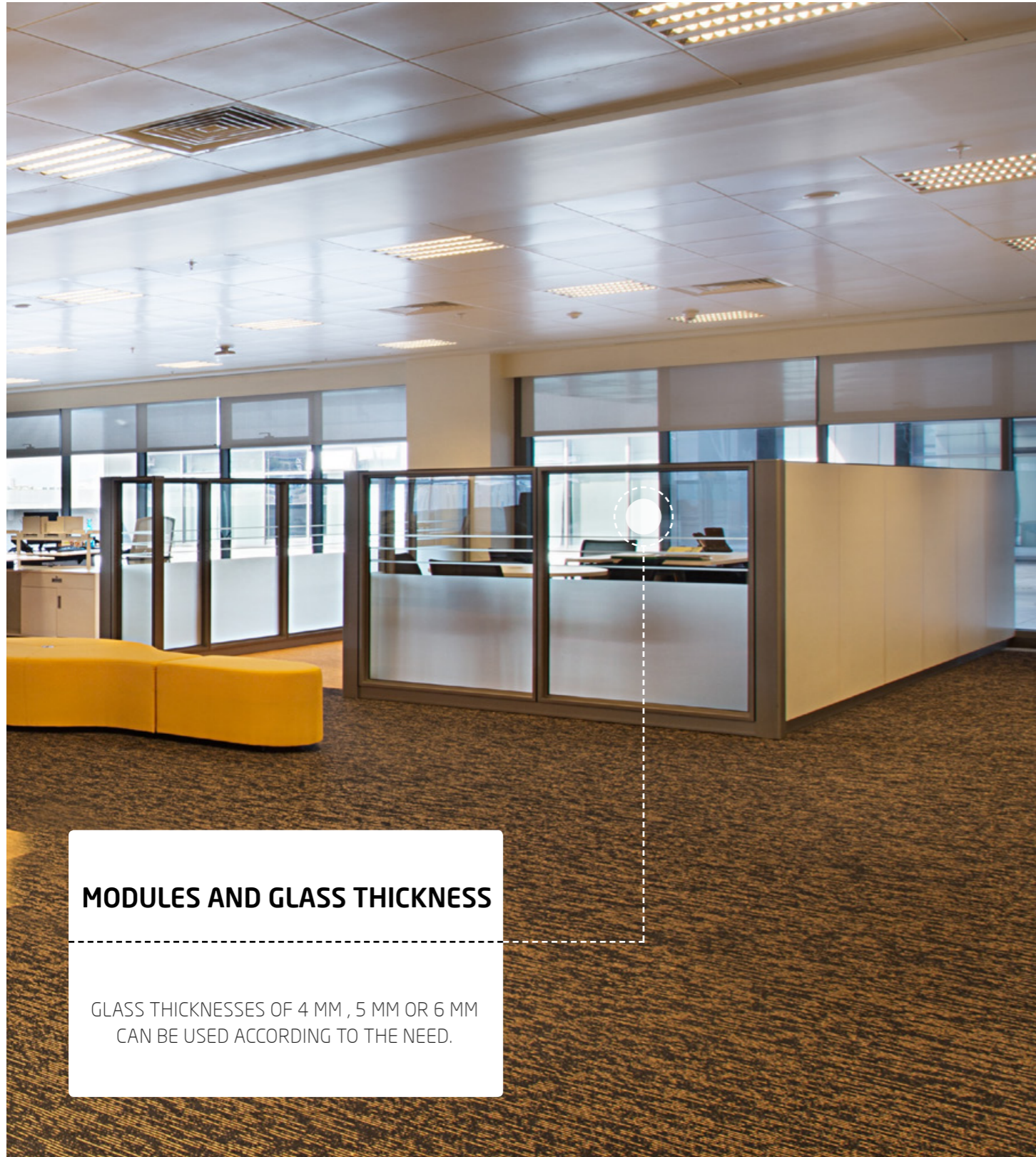


### STRONG AND STABLE STRUCTURE

INDM-106 LITE, FULL LENGTH CLIP-IN RAILS ARE CLIPPED TO THE STEEL UPRIGHTS, WHILE GLASS MONOBLOCK ARE LOCKED WITH ALUMINIUM UPRIGHTS, THUS PROVIDING A MUCH STRONGER STRUCTURE THAN THE SYSTEMS FIXED FROM A SINGLE POINT. IN ADDITION, THE DESIGN CAN BE PROVIDED WITH DIFFERENT BLIND FINISH OPTIONS.



### DIFFERENT END PROFILE OPTIONS



### MODULES AND GLASS THICKNESS

GLASS THICKNESSES OF 4 MM , 5 MM OR 6 MM  
CAN BE USED ACCORDING TO THE NEED.



**Project**  
**Architectural Design**  
**Product**

Kuveyt Türk Banking Center - Kocaeli  
YPU Pinar Kocabaş  
DM-106 System with Joints





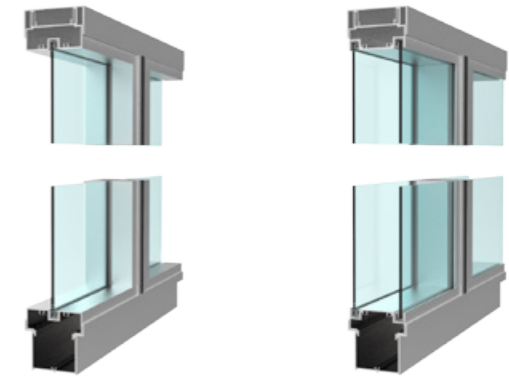
**Project**  
**Architectural Design**  
**Product**

Socar - Istanbul  
Bakırküre Mimarlık  
DM-106 System with Joints

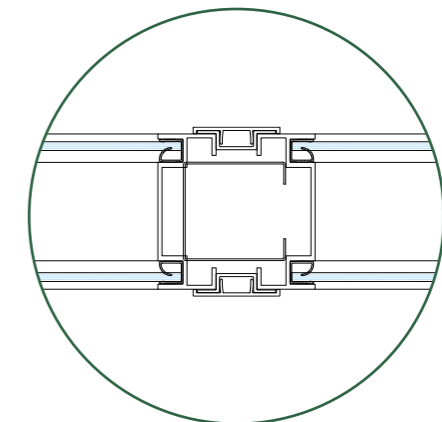


# OM-70 LITE OM-100 LITE

SYSTEMS WITH OMEGA



MONOBLOCK GLASS MODULES ARE PRODUCED IN FACTORY THEREFORE ELIMINATING THE PRODUCTION ON SITE SUCH AS GLASS CUTTING, CLEANING VENETIAN BLIND INSTALLATION, CONTRIBUTING TO FAST INSTALLATION.



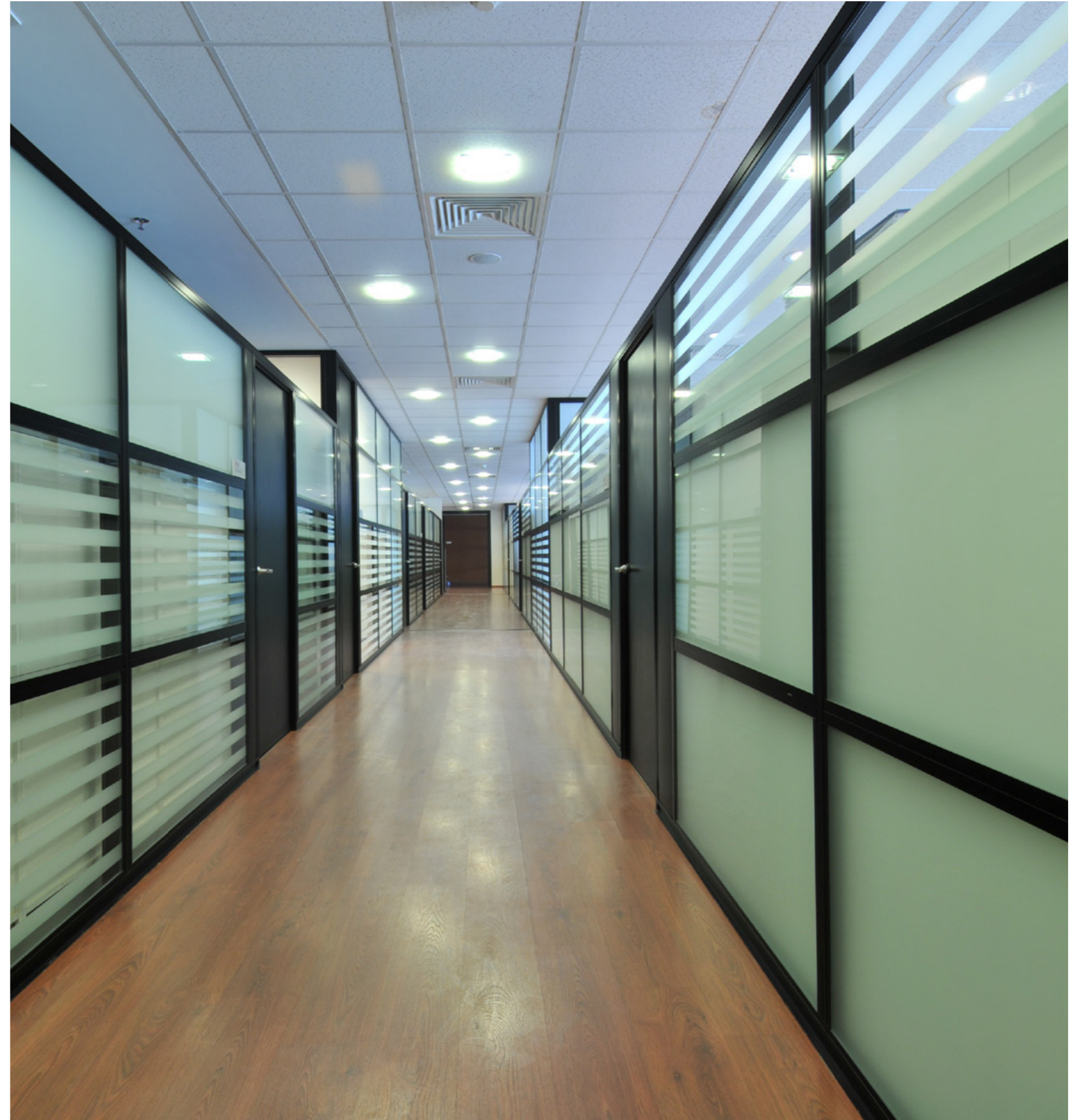


ALL MODULES, AND PANELS ARE PRODUCED IN THE FACTORY AND THE MODULAR SEPARATOR SYSTEM CAN BE INSTALLED IN A SHORT AMOUNT OF TIME, ALLOWING FOR EASY CHANGES IN INTERIOR DESIGN.



**Project**  
**Product**

EAE Electricity - Istanbul  
OM-70 Lite / OM-100 Lite Systems with Omega



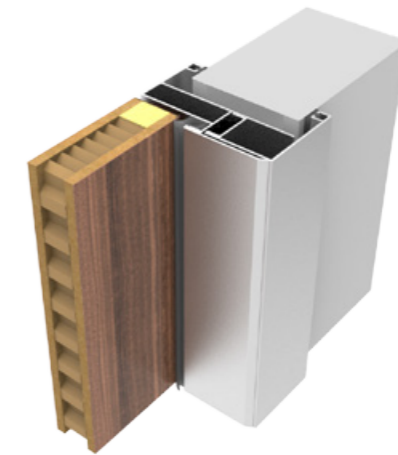
**Project**  
**Product**

Metro Favori Plaza - Istanbul  
OM-70 Lite / OM-100 Lite Systems with Omega

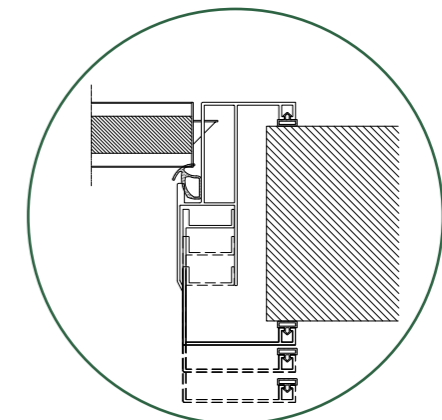


## SEPERA DOOR

### ADJUSTABLE DOOR FRAMES



IT IS A SYSTEM THAT COVERS MANY CONSTRUCTION DEFECTS IN FIXED WALLS WITH ITS RIBBED AND ADJUSTABLE PART, CREATING A ROBUST, PRACTICAL AND DIFFERENT DOOR LEAF OPTIONS. THIS SOLUTION ORIENTED SYSTEM CAN TOLERATE WALL THICKNESSES BETWEEN 90-310 MM.

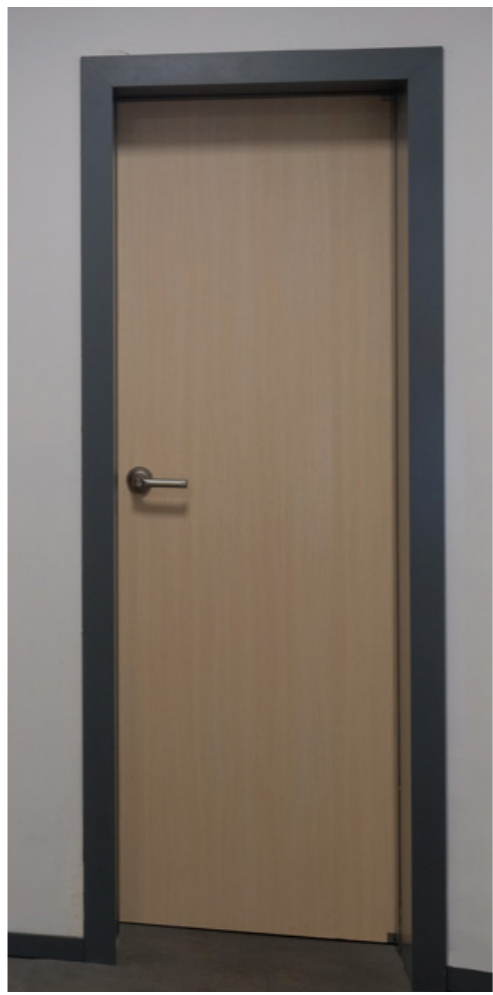




Aspen Ankara Office  
Glass Door Leaf with Aluminium Frame



Euro Gıda Izmir  
Glass Door Leaf



Aspen Head Office  
Wooden Door Leaf (40 mm)



AvivaSA Head Office  
Glass Door Leaf



Euro Gıda Izmir  
Glass Door Double Leaf



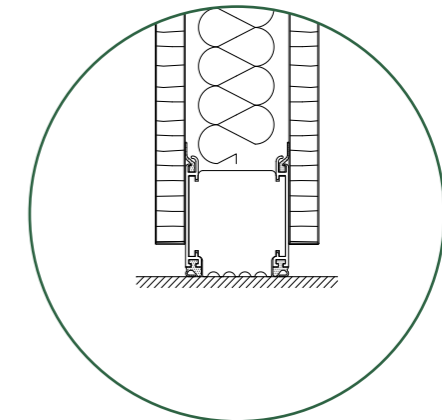
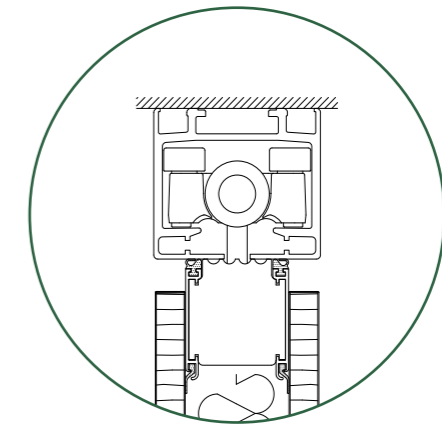
Alper Çelik Head Office  
Wooden Door Leaf



# SEPERA MOVE

## MOVABLE PARTITION SYSTEMS

SEPERA MOVE MOVABLE PARTITION SYSTEMS STANDS OUT WITH ELEGANCE IT ADDS TO THE PROJECTS, COMFORTABLE USE OPPORTUNITY AND EFFICIENCY. RICH ALTERNATIVE PRODUCTS PROVIDING MORE LIVING SPACES TO THE USER, ENABLES TO DETERMINE THE STANDARDS BY USERS.





# JOINTS

The flexible seals, which can move outwards, fasten the module by applying pressure to the floor and top track via a shaft. It tolerates surface defects and provides continuous horizontal joints. Thanks to the vertical concave and convex shaped profiles and integrated magnetic tapes, the adjoining modules forms the perfect wall. Together with the insulating seals sound insulation is maximized.



# MOVEMENT

The modules moves silently in the track with vertical and horizontal pin/trolley parts, minimizing rolling noise. Aluminium cast junctions are supported by ball-bearings in the track for easy operation.





MINIMUM ACTION  
MAXIMUM FREEDOM





**Project**  
**Product**

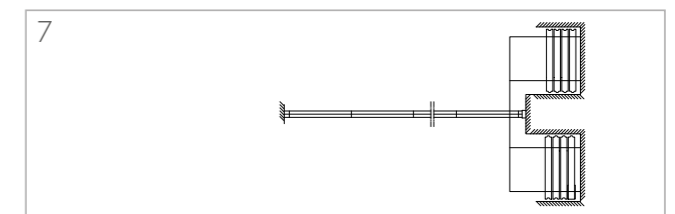
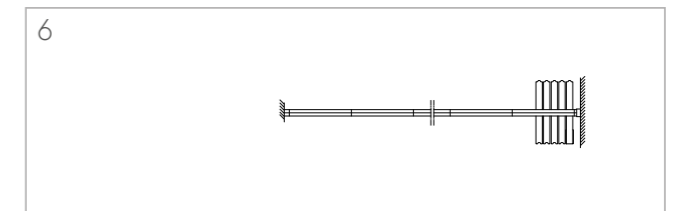
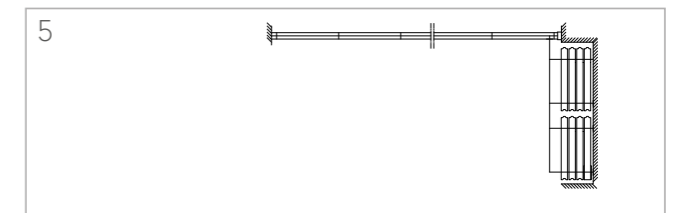
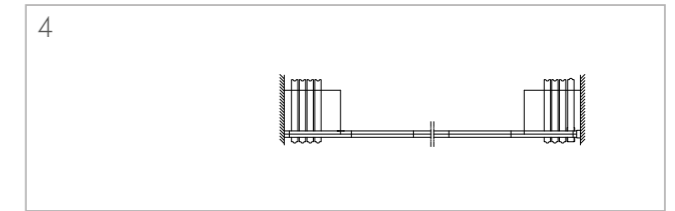
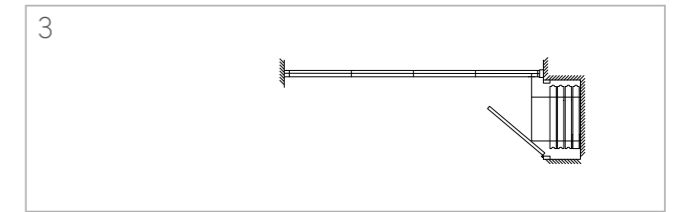
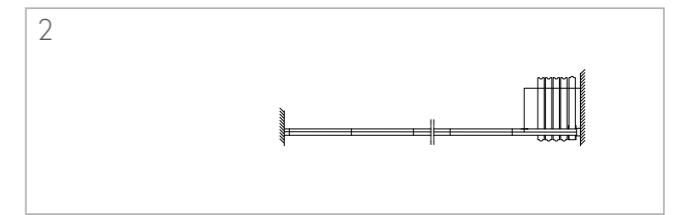
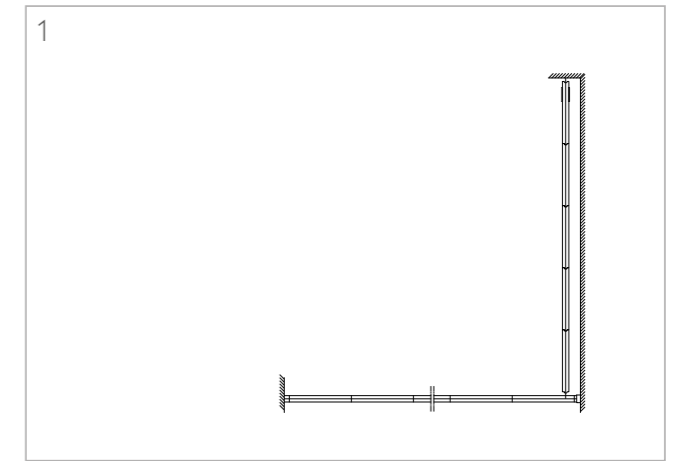
Richemont Office - Istanbul  
Sepera Move Movable Partition Systems





## PARKING POSITION

The components of the system occupy minimal space in the parking position. Thus more living space is left for the user. The system can be easily fixed in the parking area with an aesthetic appearance. According to the opening direction of the panels, parking areas are designed to be located at the most appropriate zone in the room. It provides the perfect solution for every space and needs.





# SOUND INSULATION

Sound is a form of energy created when air is disturbed in some way causing changes in air pressure that radiate from the source in waves and sound can be airborne. Sound insulation value are measured in decibel (dB). Partition wall system sound insulation values are measured at laboratory environments in accordance with TS EN 10140-2 at the different frequency ranges (50 - 5000 Hz) by accredited institutions. The measured values are defined in TS EN ISO 717-1.

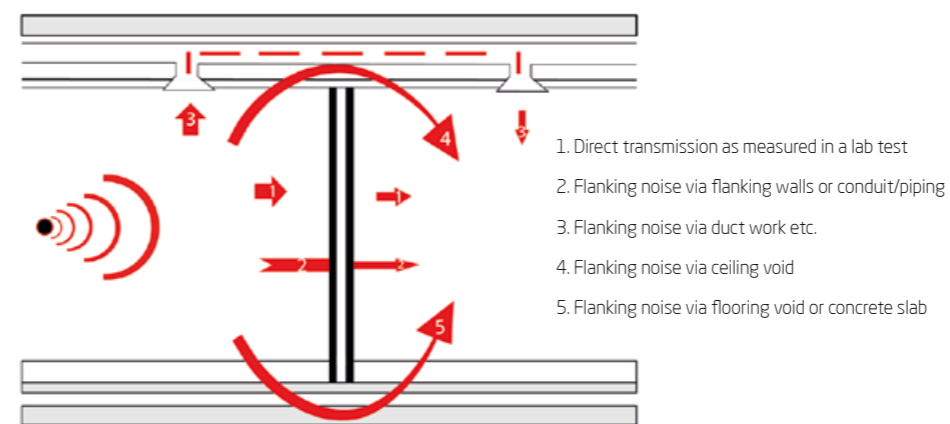
## MODULES



The modules consist of aluminium or steel profiles of frame structure and panels independently hanging on them. Panels may be natural wood, melamine, laminate surfaces or can also be diversified with requested coating materials. If necessary, the panels can be easily removed and replaced without removing the modules.

Type of Sound	Sound Pressure Levels in dB(A)
Rural area at night	30 dB
Whispered conversation at 1,5 m	40 dB
General office environment	50 dB
Conversational speech at 1,5 m	60 dB
Busy office environment	70 dB
Car accelerating at full power at 7,5 m	80 dB
HGV accelerating at full power at 5 m	90 dB
Pneumatic drill at 10 m	100 dB
Rock band at full power at concert hall	110 dB
Jet engines	120 dB

On site sound insulation performance is affected by many factors that are not present during laboratory testing. On site sound insulation testing are disturbed by direct and indirect flanking noises unlike laboratory environments.



• 212 Shopping Mall / Istanbul

• 29 Mayıs University / Istanbul

• ABC Schools / Ankara

• Abn Amro / Amstelveen

• Abuja Hilton Hotel / Abuja

• Adana City Hospital / Adana

• Adnan Saygun Art Centre / Istanbul

• Afyon Maternity Hospital / Afyon

• Afyon Oncology Hospital / Afyon

• Agro Service / Izmir

• Ağaoğlu MY World / Istanbul

• Akdeniz U. Medicine Faculty Dorm / Antalya

• Ako Car Battery Factory / Cankırı

• AKO Petlas Head Office / Ankara

• Akpınar / Bursa

• Akropolis / Rotterdam

• Aksa Motor Fan / Istanbul

• Aksaray U. Fac. of Engineering / Aksaray

• Alğida / Konya

• Refinery of Aliğa / Izmir

• Alkop Mosque / Istanbul

• Alper Çelik / Kocaeli

• Alpin Socks Factory / Cankırı

• Amstel Campus / Amsterdam

• Applikon Biotechnology / Delft

• Arnavutköy City Hall / Istanbul

• ASKI Building / Ankara

• Astana Expo / Astana

• Astana Train Station / Astana

• Ashgabat Bus Station / Ashgabat

• Ataköy Plus / Istanbul

• Atlantis Shopping Mall / Istanbul

• Audi Showroom / Moscow

• Balance İstanbul / Istanbul

• Balıkesir İsbet Schools / Balıkesir

• BASF Turk Office / Istanbul

• Batıçim / Izmir

• Bayer / Istanbul

• Beatrix Park / Amsterdam

• Bilgi University / Istanbul

• Bilnet Schools / Ankara

• Bilthoven Hogeschool / Bilthoven

• Boehlerit / Kocaeli

• Istanbul Stock Exchange / Istanbul

• Bortar Food Factory / Izmir

• Boydem Yapı Office / Ankara

• BSKYB TV Tower / United Kingdom

• Bursa Central Bank Building / Bursa

• Cargill / Schiphol

• Cemal Kamacı Sport Hall / Istanbul

• Check Point Office / İsrail

• Children Hospital / Helsinki

• Presidential Complex / Ankara

• Congress of P. Complex / Ankara

• Arçelik Factory I Tekirdag

• Çerkezköy Hospital / Tekirdağ

• Çorum Coach Station / Çorum

• Çukurova Municipality / Adana

• Dar Es Salaam Airport / Tanzania

• DDB Tribal / Amstelveen

• De Koppeling Prison / Rotterdam

• Delft Train Station / Delft

• Delftse Poort / Rotterdam

• Demay Architectural Office / Ankara

• Differ / Eindhoven

• Douwe Egberts / Amsterdam

• EAE Dilovası / Istanbul

• EPDK Service Building / Ankara

• Equate Headquarter / Kuwait

• Erbağ Hospital / Tokat

• Erbil Airport / Erbil

• Erzincan Airport / Erzincan

• 12 Emergency Call Building / Eskisehir

• Eskişehir Stadium / Eskişehir

• Eyüboğlu Education Institutions / Istanbul

• Final Kids Kindergarten / Adana

• Florence Nightingale Hospital / Istanbul

• Fluor / Hoofddorp

• FNSS Service Building / Ankara

• Fort Kijkduin / Den Helder

• Forum Shopping Mall / Corum

• Galleria Shopping Mall / Istanbul

• Gazi University Campus / Ankara

• Gaziantep Chamber of Industry / Gaziantep

• Gaziantep Stadium / Gaziantep

• Güneymoğlu Anadolu Ex. As. / Gaziantep

• Hacettepe University Student Affairs / Ankara

• Hakkari Yüksekova Airport / Hakkari

• Havelsan Administration Building / Ankara

• Heerema / Leiden

• Hitit University Campus / Çorum

• Hoofdkantoor Boskalis / Papendrecht

• Hotel Corendon / Amsterdam

• Hotel Krasnapolsky / Amsterdam

• IGA Logistics Center / Istanbul

• İlbank / Istanbul

• İncek Loft / Ankara

• ING Bank / Amsterdam

• Inholland Hogeschool / Delft

• Inholland Hogeschool / Hoofddorp

• Inholland Hogeschool / Rotterdam

• Ist. Chamber of Industry Odakule / Istanbul

• Istanbul Ataturk Airport / Istanbul

• Underground St. - Sanayi / Istanbul

• Underground St. - Seyrantepe / Istanbul

• Sabiha Gökçen Airport / Istanbul

• Istinye Park Shopping Mall / Istinye Park

• Istmarina Shopping Mall / Istanbul

• İŞ GYO Ege Perla Bayraklı / Izmir

• İvedik Teknokent / Ankara

• İya Textile / Izmir

• Adnan Menderes Airport / Izmir

• Izmir Economy University / Izmir

• Java Bodrum Office / Muğla

• JWT Marriot Hotel / Ankara

• Kale Kilit Factory / Tekirdağ

• Kale Government Building / Ankara

• Kapadokya Textile / Izmir

• Turkish Army Land Forces Building / Ankara

• Kars Airport / Kars

• Kaskat Hospital Kiev / Kiev

• Kayseri O. I. Z. / Kayseri

• Urban Renewal / Ankara

• Urban Renewal / Eskişehir

• Urban Renewal / Niğde

• Kırıkkale City Hall / Kırıkkale

• Kırıkkale U. Fac. of Dentistry / Kırıkkale

• Kırklareli U. Kayalı C. D. / Kırklareli

• Kırşehir U. C. of Arc. and Law / Kırşehir

• Kiev Borispol Airport / Kiev

• Kimteks / Istanbul

• Konya Stadium / Konya

• Konya U. Fac. of Medicine / Konya

• KOSGEB Service Building / Ankara

• Kozyatağı Anadolu Plaza / Istanbul

• Kunt Office / Istanbul

• Kuveyt Türk Bank Headquarters / Kocaeli

• Medipol University / Istanbul

• Now Bomonti / Istanbul

• Omkar Box / Izmir

• Petkim Administrative Building / Izmir

• Rönesans Holding / Ankara

• Securitas Head Office / Istanbul

• Socar Head Office / Istanbul

• Tem Media / Istanbul

• Tırsan Kardan / Manisa

• Yemek Sepeti Park / Istanbul

• Vosmer / Izmir





